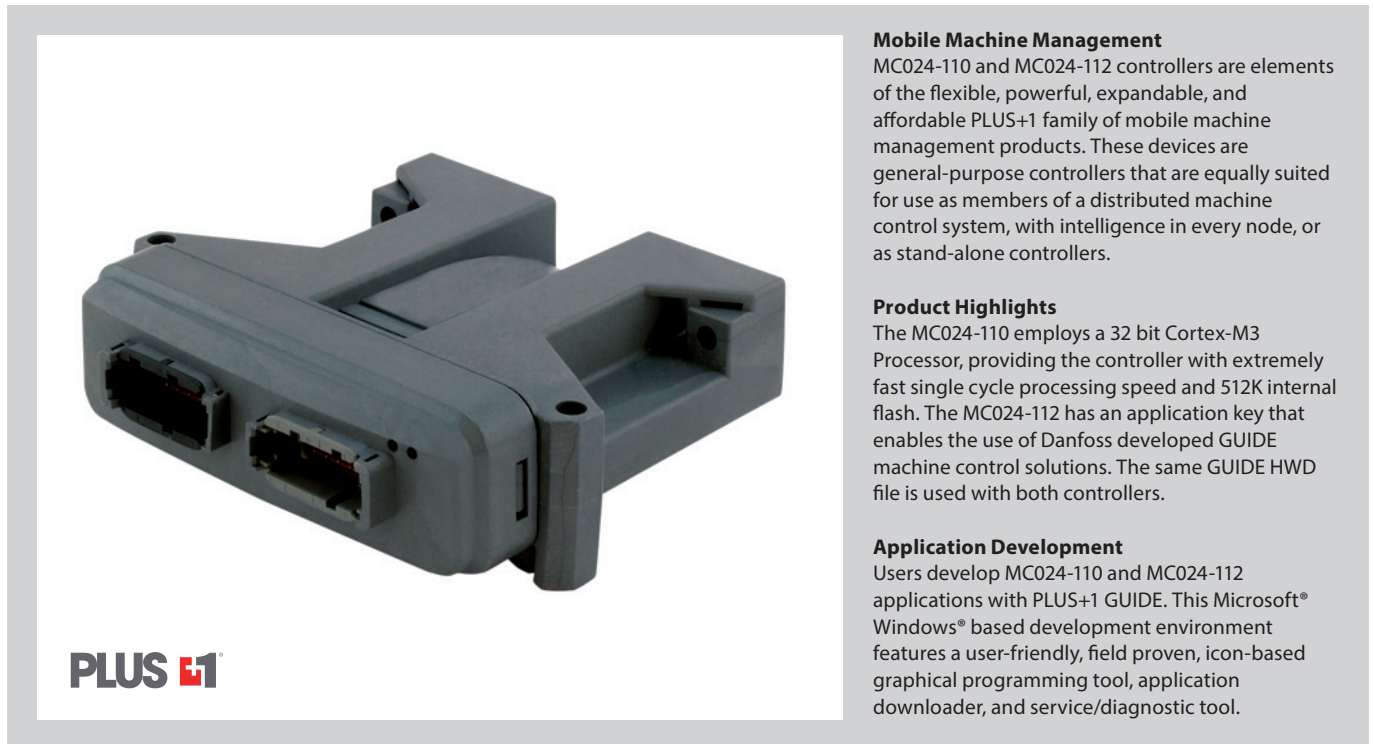




Data Sheet

PLUS+1[®] Controllers

MC024-110 and MC024-112



Mobile Machine Management

MC024-110 and MC024-112 controllers are elements of the flexible, powerful, expandable, and affordable PLUS+1 family of mobile machine management products. These devices are general-purpose controllers that are equally suited for use as members of a distributed machine control system, with intelligence in every node, or as stand-alone controllers.

Product Highlights

The MC024-110 employs a 32 bit Cortex-M3 Processor, providing the controller with extremely fast single cycle processing speed and 512K internal flash. The MC024-112 has an application key that enables the use of Danfoss developed GUIDE machine control solutions. The same GUIDE HWD file is used with both controllers.

Application Development

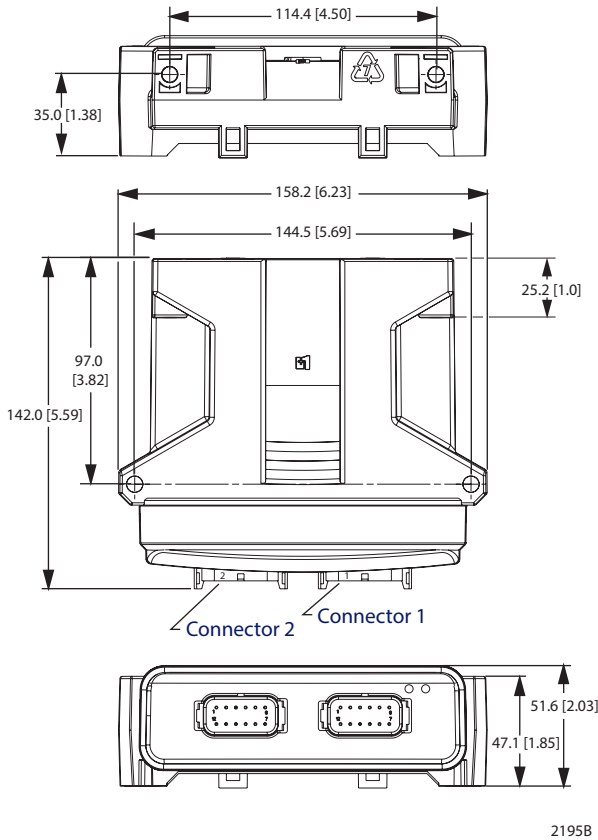
Users develop MC024-110 and MC024-112 applications with PLUS+1 GUIDE. This Microsoft[®] Windows[®] based development environment features a user-friendly, field proven, icon-based graphical programming tool, application downloader, and service/diagnostic tool.

Features

- User-programmable with PLUS+1 GUIDE (Graphical User Integrated Development Environment)
- 24 pins: (2) individually keyed Deutsch[®] DTM 12 pin connectors
- ARM 32 bit Cortex-M3 RUNNING AT 120 MHz
 - 12 bit analog-to-digital converter
 - 16 bit timers/counters
- FRAM non-volatile memory
- 14 inputs
 - (5) universal (DIN/AIN/FreqIN) that are user-defined as either:
 - Analog:* with configurable ranges 0 to 5.25 Vdc (with over range protection) or 0 to 36 Vdc;
 - Digital:* pull up (5 Vdc), pull down (0 Vdc), or pull to center (2.5 Vdc);
 - Frequency (timing):* 1 Hz to 10 kHz
 - (6) digital (DIN) configurable as pull up (5 Vdc) or pull down (0 Vdc)
 - (2) analog (AIN/Temp/Rheo) 0 to 5.25 Vdc or 0 to 10,000 ohm rheostat
 - (1) fixed range analog (AIN/CAN shield) 0 to 5.25 Vdc or CAN shield pin
- 4 outputs
 - (4) universal (PWMOUT/DOUT/PVGOUT) that are user-defined as either:
 - Digital:* (3 A), configurable as source or sink;
 - PWM:* (30 to 4000 Hz), configurable as open or closed loop with current control;
 - Analog voltage:* open loop PWM at 4000 Hz
 - Any PWMOUT/DOUT/PVGOUT can be used to provide reference power to one PVG valve
- 9 to 36 Vdc power supply, monitored internally
- 1 CAN 2.0 B port, the fixed range analog input can be configured as the shield pin
- Power supply for external sensors rated at 5 Vdc to 300 mA and regulated internally
- 2 LEDs under user control
- 3 mounting alternatives: stack, end, or side
- MC024-112 contains application key required to run Danfoss developed machine control application software
- CE compliant

Dimensions and Pin Assignments

MC024-110 and MC024-112 Mounting Dimensions in Millimeters [Inches]



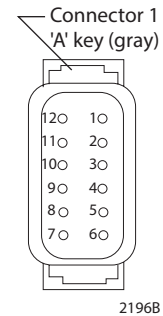
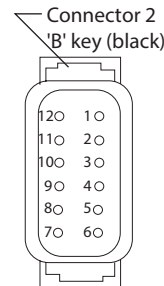
MC024-110 and MC024-112 24 Pin Connectors

Connector 2

Pin	Controller function
C2-P1	DIN
C2-P2	DIN/AIN/FreqIN
C2-P3	DIN/AIN/FreqIN
C2-P4	DIN/AIN/FreqIN
C2-P5	DIN/AIN/FreqIN
C2-P6	DIN/AIN/FreqIN
C2-P7	AIN/Temp/Rheo
C2-P8	AIN/Temp/Rheo
C2-P9	PWMOUT/DOUT/PVGOUT
C2-P10	PWMOUT/DOUT/PVGOUT
C2-P11	PWMOUT/DOUT/PVGOUT
C2-P12	PWMOUT/DOUT/PVGOUT

Connector 1

Pin	Controller function
C1-P1	Power ground -
C1-P2	Power supply +
C1-P3	CAN +
C1-P4	CAN -
C1-P5	AIN/CAN shield
C1-P6	DIN
C1-P7	DIN
C1-P8	5 Vdc sensor power +
C1-P9	Sensor power ground -
C1-P10	DIN
C1-P11	DIN
C1-P12	DIN



Caution
 This device is not field serviceable. Opening the device housing will void the warranty.

Use care when wiring mating connector. Above pinouts are for device pins.

Specifications

Supply voltage	9 to 36 Vdc
Operating temperature (ambient)	-40°C to 70°C [-40°F to 158°F]
Storage temperature	-40°C to 85°C [-40°F to 185°F]
Programming temperature	-40°C to 70°C [-40°F to 158°F]
IP rating (with mating connector attached)	IP 67
EMI/RFI rating	100 V/M
Weight	0.40 kg [0.88 lb]
Vibration	IEC 60068-2-64
Shock	IEC 60068-2-27 test Ea
Maximum current, sourcing	8 A
Maximum current, sinking	8 A

Ordering Information

MC024-110	11130919
MC024-112	11130920

Related product	Danfoss material number	
CG150 CAN/USB Gateway	10104136	
Deutsch® mating connector bag assembly	10102023 (16 to 20 AWG)	10100945 (20 to 24 AWG)
PLUS+1 GUIDE single user license	10101000	

Danfoss product literature on line at: www.danfoss.com

Danfoss Power Solutions US Company
 2800 East 13th Street
 Ames, IA 50010, USA
 Phone: +1 515 239 6000

Danfoss Power Solutions GmbH & Co. OHG
 Krokamp 35
 D-24539 Neumünster, Germany
 Phone: +49 4321 871 0

Danfoss Power Solutions ApS
 Nordborgvej 81
 DK-6430 Nordborg, Denmark
 Phone: +45 7488 2222

Danfoss Power Solutions
 22F, Block C, Yishan Rd
 Shanghai 200233, China
 Phone: +86 21 3418 5200

Danfoss can accept no responsibility for possible errors in catalogues, brochures and other printed material. Danfoss reserves the right to alter its products without notice. This also applies to products already on order provided that such alterations can be made without consequential changes being necessary in specifications already agreed. All trademarks in this material are property of the respective companies. Danfoss and the Danfoss logotype are trademarks of Danfoss A/S. All rights reserved.