



Data Sheet

# PLUS+1<sup>®</sup> Expansion Module OX024-010



**Mobile Machine Management**

The OX024-010 output expansion module is an element of the flexible, powerful and expandable PLUS+1 family of mobile machine management products. Expansion modules provide cost-effective additional I/O to mobile machine control systems.

**Product Highlights**

Output expansion modules are associated with a PLUS+1 controller. PLUS+1 GUIDE (Graphical User Integrated Development Environment) applications running in the controller write outputs to expansion module pins as if the pins are physically located on the controller. Pin properties are configured in the controller's GUIDE application.

PLUS+1 compliance eliminates need for the system designer to write CAN transmit and receive messages in both the controller and associated expansion modules.

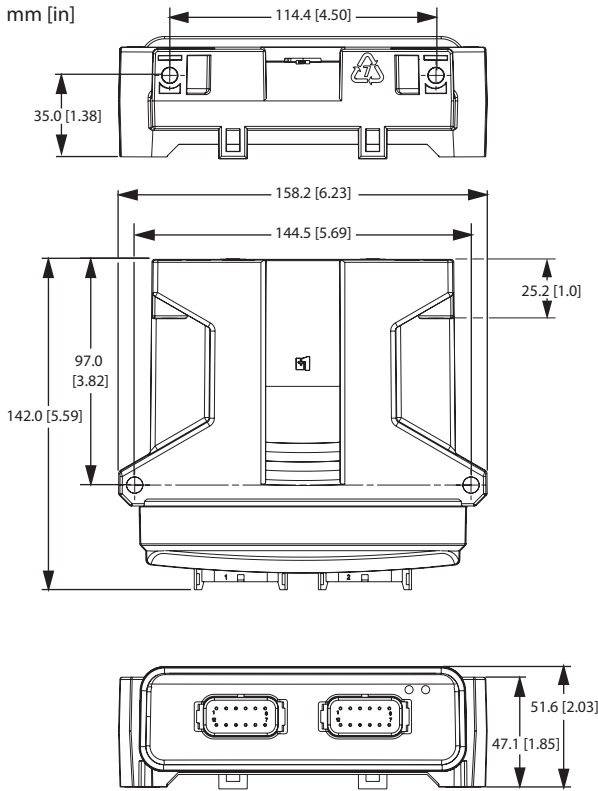
**Application Development**

Users configure expansion modules using PLUS+1 GUIDE. This Microsoft<sup>®</sup> Windows<sup>®</sup>-based development environment features a user-friendly, field proven, icon-based graphical programming tool, application downloader, and service/diagnostic tool.

**Features**

- 24 pins: (2) individually keyed Deutsch<sup>®</sup> DTM 12 pin connectors
- 16 outputs
  - (10) universal (PWMOUT/DOUT/PVGOUT) that are user-defined as either:
    - Digital:* (3 A), configurable as source or sink;
    - PWM:* (30 to 4000 Hz), configurable as open or closed loop with current control;
    - Analog voltage:* open loop PWM at 4000 Hz.
  - Any PWMOUT/DOUT/PVGOUT can be used to provide reference power to one PVG valve
  - (4) digital (DOUT) (3 A)
  - (2) digital/PVG power supply (DOUT/PVG power supply) (3 A), user configurable; one DOUT/PVG power supply will power up to three PVG valves
- 9 to 36 Vdc power supply, monitored internally
- 1 CAN 2.0 B
- 3 mounting alternatives: stack, end, or side
- CE compliant

OX024-010 Dimensions and Pin Assignments



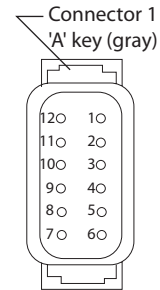
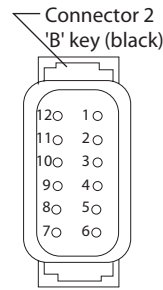
24 Pin

Connector 2

Pin	Controller function
C2-P1	PWMOUT/DOUT/PVGOUT
C2-P2	PWMOUT/DOUT/PVGOUT
C2-P3	PWMOUT/DOUT/PVGOUT
C2-P4	PWMOUT/DOUT/PVGOUT
C2-P5	PWMOUT/DOUT/PVGOUT
C2-P6	PWMOUT/DOUT/PVGOUT
C2-P7	PWMOUT/DOUT/PVGOUT
C2-P8	PWMOUT/DOUT/PVGOUT
C2-P9	PWMOUT/DOUT/PVGOUT
C2-P10	Power supply +
C2-P11	Power supply +
C2-P12	Power supply +

Connector 1

Pin	Controller function
C1-P1	Power ground -
C1-P2	Power supply +
C1-P3	CAN +
C1-P4	CAN -
C1-P5	CAN shield
C1-P6	DOUT
C1-P7	DOUT
C1-P8	DOUT
C1-P9	DOUT
C1-P10	DOUT/PVG power supply
C1-P11	DOUT/PVG power supply
C1-P12	PWMOUT/DOUT/PVGOUT



2196B

Specifications

Product Parameters

Supply voltage	9 to 36 Vdc
Operating temperature (ambient)	-40°C to 70°C [-40°F to 158°F]
Storage temperature	-40°C to 85°C [-40°F to 185°F]
Programming temperature	0°C to 70°C [32°F to 158°F]
IP rating (with mating connector attached)	IP 67
EMI/RFI rating	100 V/m
Weight	0.40 kg [0.88 lb]
Vibration	IEC 60068-2-64
Shock	IEC 60068-2-27 test Ea
Maximum current, sourcing	32 A
Maximum current, sinking	8 A

2195A

Use care when wiring mating connector. Above pinouts are for device pins. Each DOUT/PVG power supply can power up to three PVG sections concurrently. One OX024-010 output expansion module can drive a maximum of six PVG valves concurrently.

**Caution**

PCB damage may occur. All device power supply + pins must be connected to battery +.

**Caution**

This device is not field serviceable. Opening the device housing will void the warranty.

Ordering Information

OX024-010	10100999
-----------	----------

Related product	Danfoss material number	
CG150 CAN/USB Gateway	10104136	
Deutsch® mating connector bag assembly	10102023 (16 to 20 AWG)	10100945 (20 to 24 AWG)
PLUS+1 GUIDE single user license	10101000	

Comprehensive technical information:  
 PLUS+1 Controller Family Technical Information, **520L0719**;  
 PLUS+1 Compliant OX024-010  
 Function Block User Manual, **11063395**  
 Danfoss product literature on line at: [www.Danfoss.com](http://www.Danfoss.com)

**Danfoss Power Solutions US Company**  
 2800 East 13th Street  
 Ames, IA 50010, USA  
 Phone: +1 515 239 6000

**Danfoss Power Solutions GmbH & Co. OHG**  
 Krokamp 35  
 D-24539 Neumünster, Germany  
 Phone: +49 4321 871 0

**Danfoss Power Solutions ApS**  
 Nordborgvej 81  
 DK-6430 Nordborg, Denmark  
 Phone: +45 7488 2222

**Danfoss Power Solutions**  
 22F, Block C, Yishan Rd  
 Shanghai 200233, China  
 Phone: +86 21 3418 5200

Danfoss can accept no responsibility for possible errors in catalogues, brochures and other printed material. Danfoss reserves the right to alter its products without notice. This also applies to products already on order provided that such alterations can be made without consequential changes being necessary in specifications already agreed. All trademarks in this material are property of the respective companies. Danfoss and the Danfoss logotype are trademarks of Danfoss A/S. All rights reserved.