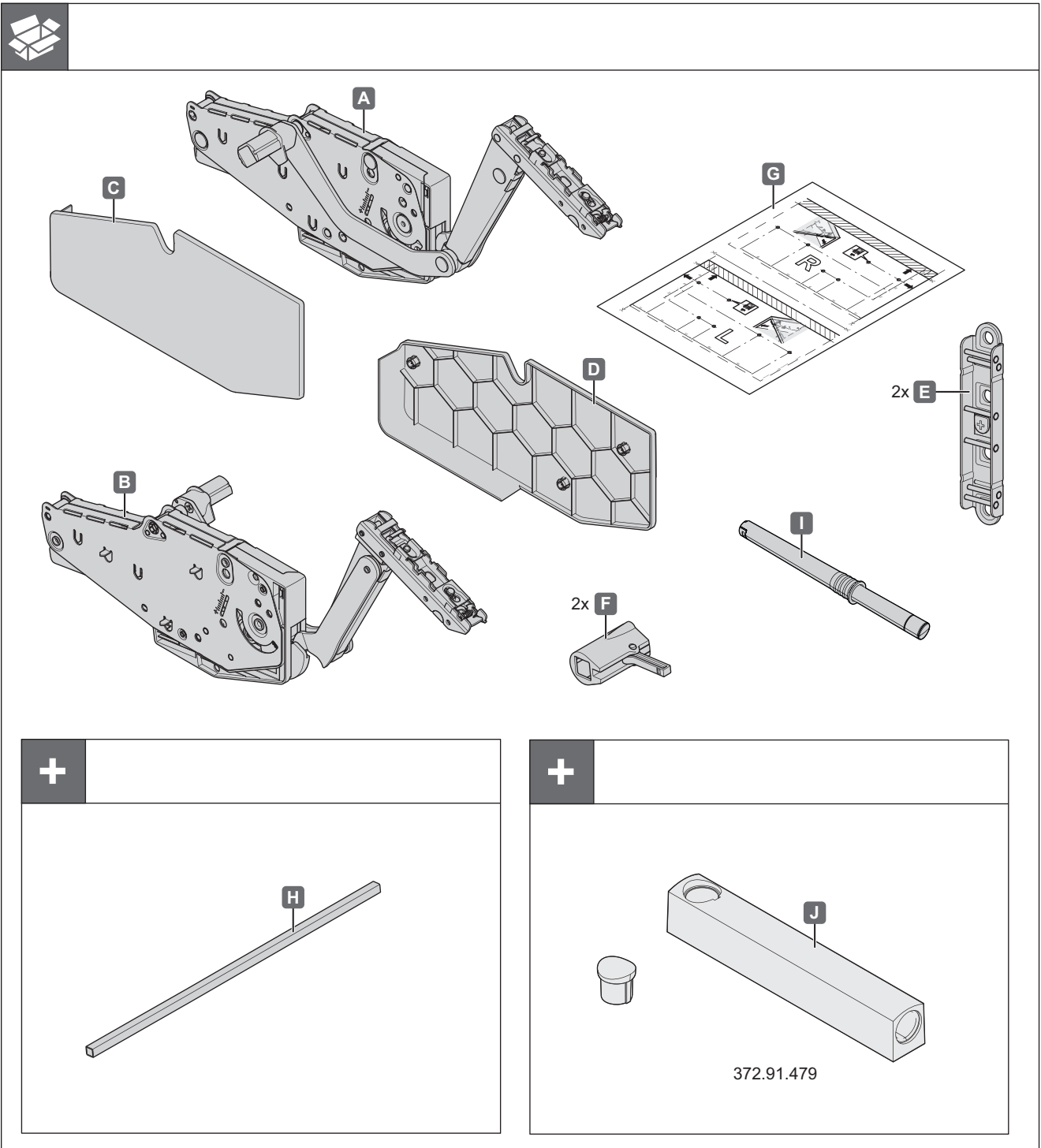
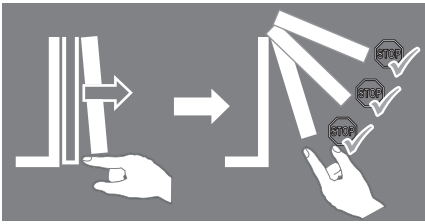




## Free swing push

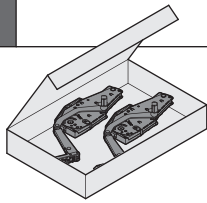
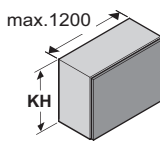
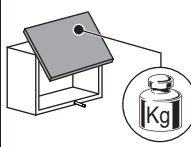
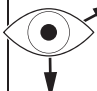
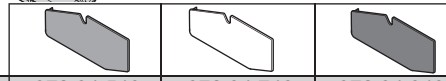
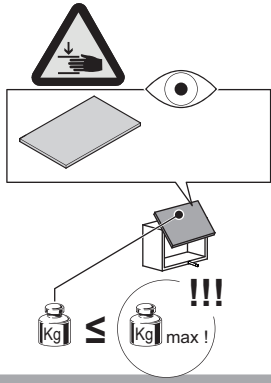
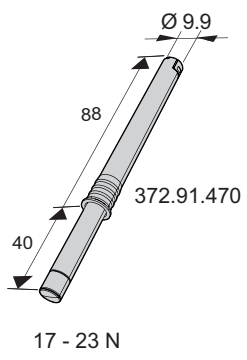
372.34.xxx

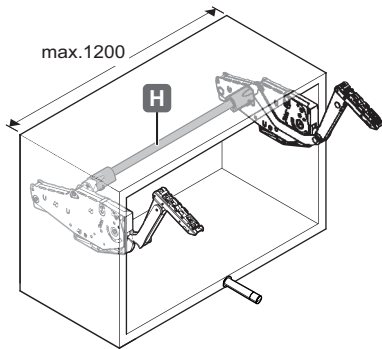


732.23.202

12.0001.010.468.0000.00

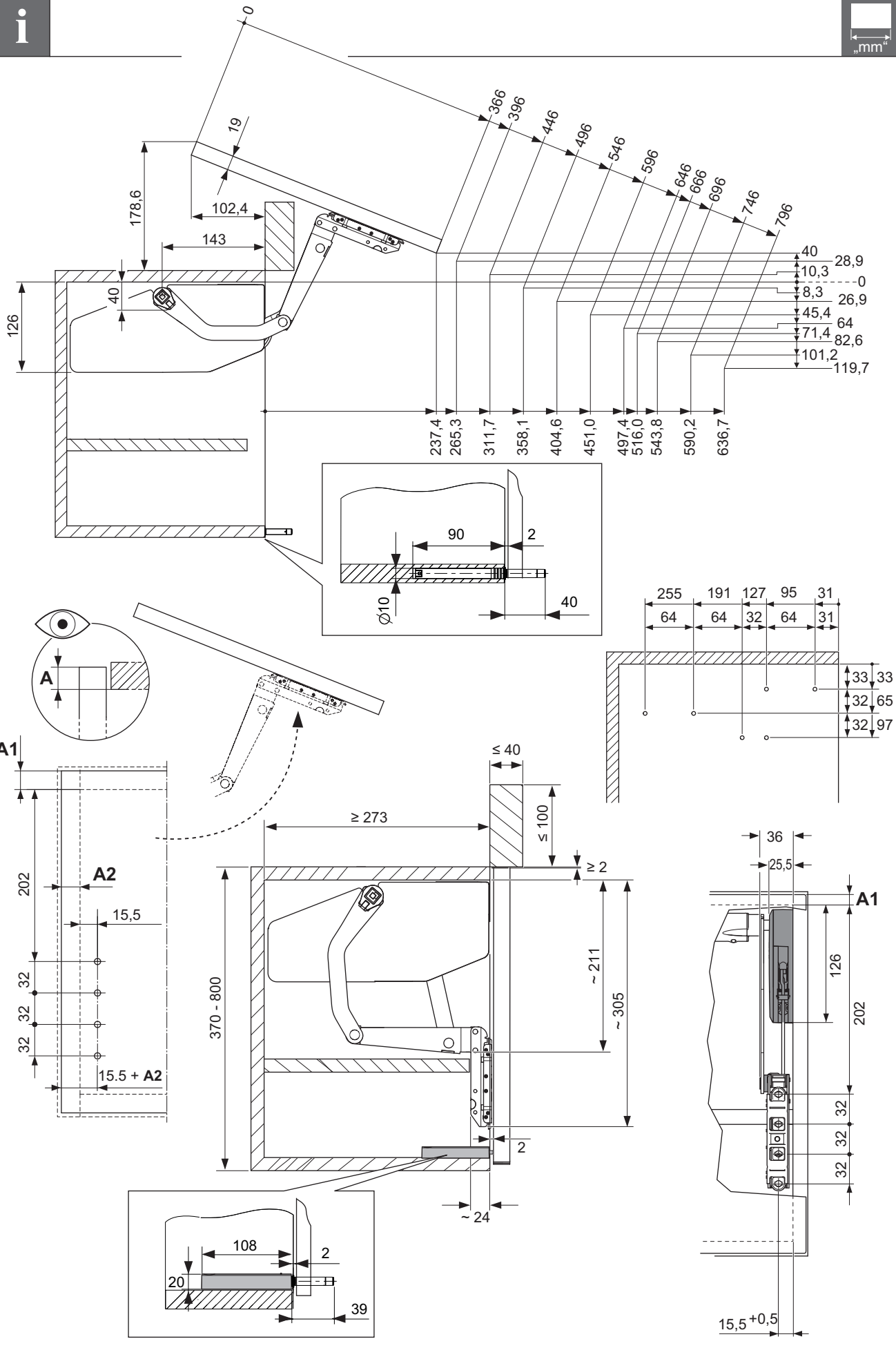
HDE 02/2018

<b>i</b>				„mm“			
							
							
	370	1,8 - 4,0 kg	<b>S1sw pto</b>	372.34.540	372.34.740	372.34.340	
		3,4 - 6,5 kg	<b>S4sw pto</b>	372.34.543	372.34.743	372.34.343	
	5,2 - 10,3 kg	<b>S7sw pto</b>	372.34.546	372.34.746	372.34.346		
	400	1,8 - 3,9 kg	<b>S1sw pto</b>	372.34.540	372.34.740	372.34.340	
		3,3 - 6,3 kg	<b>S4sw pto</b>	372.34.543	372.34.743	372.34.343	
		5,0 - 10,0 kg	<b>S7sw pto</b>	372.34.546	372.34.746	372.34.346	
	450	1,9 - 3,7 kg	<b>S1sw pto</b>	372.34.540	372.34.740	372.34.340	
		3,2 - 6,1 kg	<b>S4sw pto</b>	372.34.543	372.34.743	372.34.343	
	450	4,8 - 9,4 kg	<b>S7sw pto</b>	372.34.546	372.34.746	372.34.346	
		500	1,9 - 3,5 kg	<b>S1sw pto</b>	372.34.540	372.34.740	372.34.340
	3,0 - 5,8 kg		<b>S4sw pto</b>	372.34.543	372.34.743	372.34.343	
	4,5 - 8,9 kg		<b>S7sw pto</b>	372.34.546	372.34.746	372.34.346	
	500	2,5 - 5,9 kg	<b>S2sw pto</b>	372.34.541	372.34.741	372.34.341	
		5,0 - 10,0 kg	<b>S5sw pto</b>	372.34.544	372.34.744	372.34.344	
		8,2 - 15,9 kg	<b>S8sw pto</b>	372.34.547	372.34.747	372.34.347	
	550	2,5 - 5,6 kg	<b>S2sw pto</b>	372.34.541	372.34.741	372.34.341	
		4,8 - 9,6 kg	<b>S5sw pto</b>	372.34.544	372.34.744	372.34.344	
		7,8 - 15,2 kg	<b>S8sw pto</b>	372.34.547	372.34.747	372.34.347	
	600	2,5 - 5,3 kg	<b>S2sw pto</b>	372.34.541	372.34.741	372.34.341	
		4,7 - 9,3 kg	<b>S5sw pto</b>	372.34.544	372.34.744	372.34.344	
7,5 - 14,5 kg		<b>S8sw pto</b>	372.34.547	372.34.747	372.34.347		
670	2,5 - 4,8 kg	<b>S2sw pto</b>	372.34.541	372.34.741	372.34.341		
	4,5 - 8,8 kg	<b>S5sw pto</b>	372.34.544	372.34.744	372.34.344		
	7,0 - 13,5 kg	<b>S8sw pto</b>	372.34.547	372.34.747	372.34.347		
670	3,2 - 6,5 kg	<b>S3sw pto</b>	372.34.542	372.34.742	372.34.342		
	5,7 - 11,3 kg	<b>S6sw pto</b>	372.34.545	372.34.745	372.34.345		
	8,5 - 17,1 kg	<b>S9sw pto</b>	372.34.548	372.34.748	372.34.348		
700	3,1 - 6,3 kg	<b>S3sw pto</b>	372.34.542	372.34.742	372.34.342		
	5,6 - 11,1 kg	<b>S6sw pto</b>	372.34.545	372.34.745	372.34.345		
	8,4 - 16,7 kg	<b>S9sw pto</b>	372.34.548	372.34.748	372.34.348		
750	3,0 - 6,0 kg	<b>S3sw pto</b>	372.34.542	372.34.742	372.34.342		
	5,4 - 10,7 kg	<b>S6sw pto</b>	372.34.545	372.34.745	372.34.345		
	8,2 - 16,0 kg	<b>S9sw pto</b>	372.34.548	372.34.748	372.34.348		
800	2,9 - 5,7 kg	<b>S3sw pto</b>	372.34.542	372.34.742	372.34.342		
	5,3 - 10,3 kg	<b>S6sw pto</b>	372.34.545	372.34.745	372.34.345		
	8,0 - 15,3 kg	<b>S9sw pto</b>	372.34.548	372.34.748	372.34.348		

<b>i</b>				„mm“	
	450	16	324	372.33.690	
		19			
	500	16	374	372.33.691	
		19			
	600	16	474	372.33.692	
		19			
	800	16	674	372.33.693	
		19			
	900	16	774	372.33.694	
		19			
	1000	16	874	372.33.695	
		19			
1200	16	1074	372.33.696		
	19				
<b>KB</b>	16	<b>KB - (2 x K) - 88</b>			
	19				

i

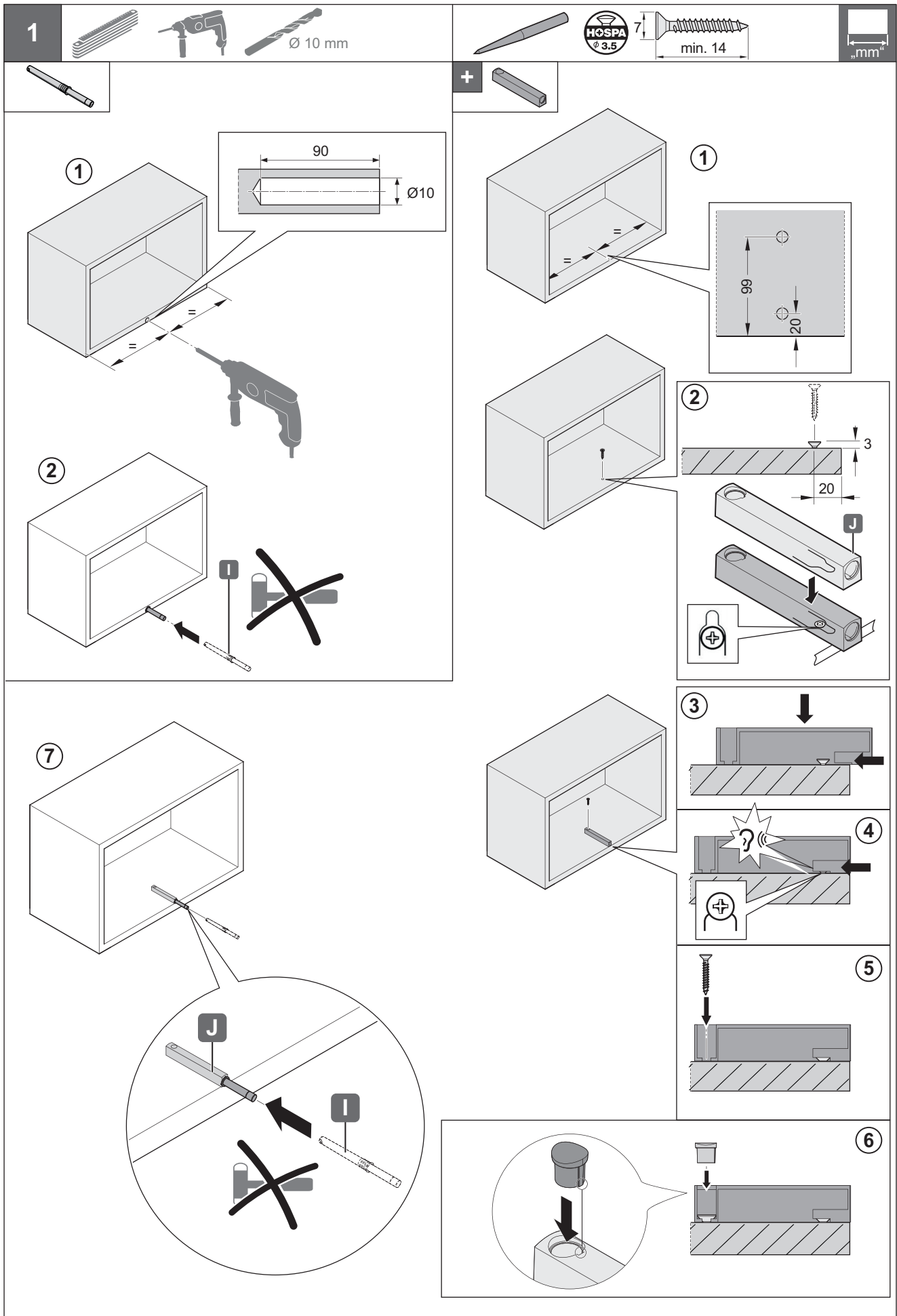
mm



732.23.202

12.0001.010.468.0000.00

HDE 02/2018



732.23.202

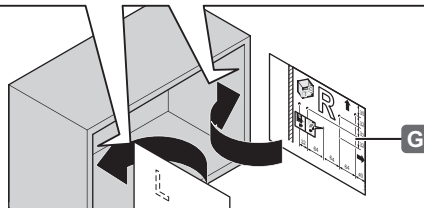
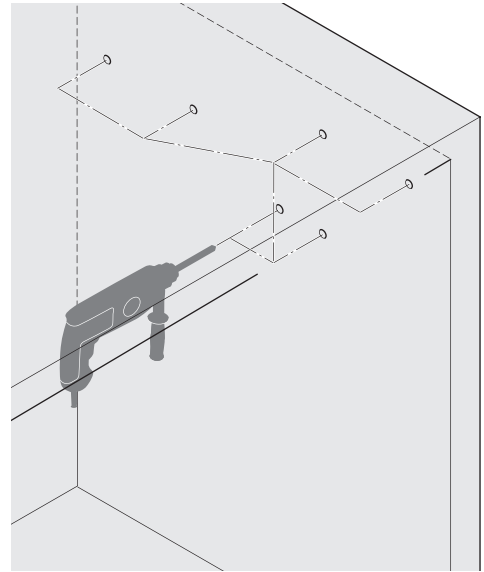
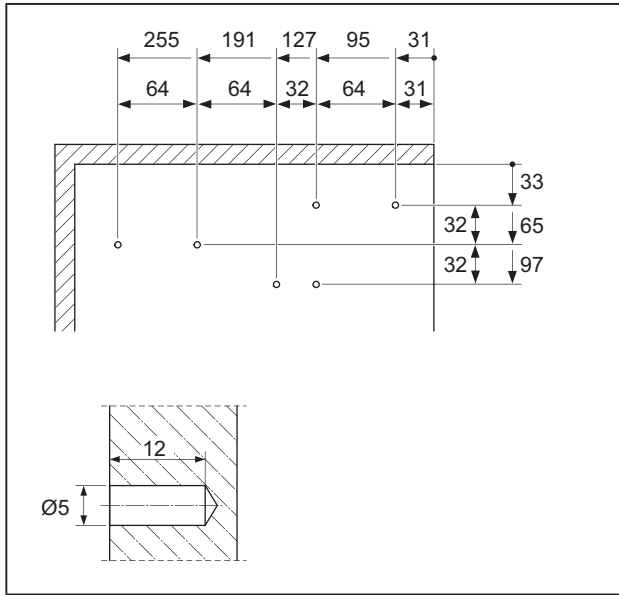
12.0001.010.468.0000.00

HDE 02/2018

2



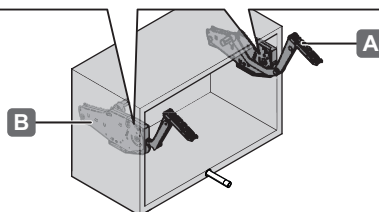
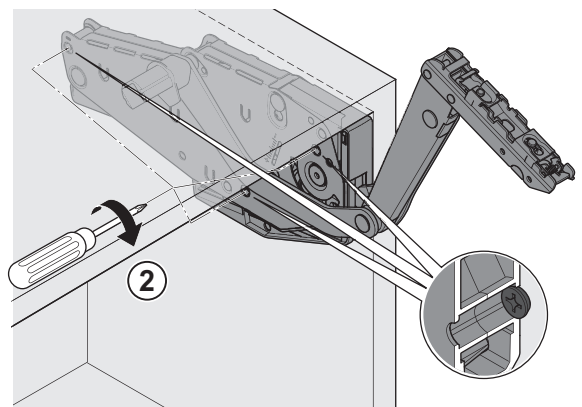
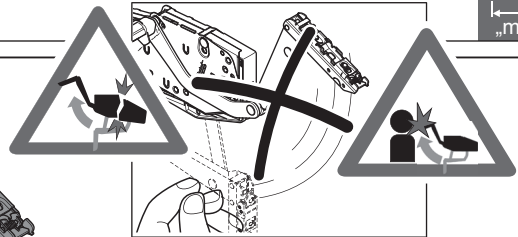
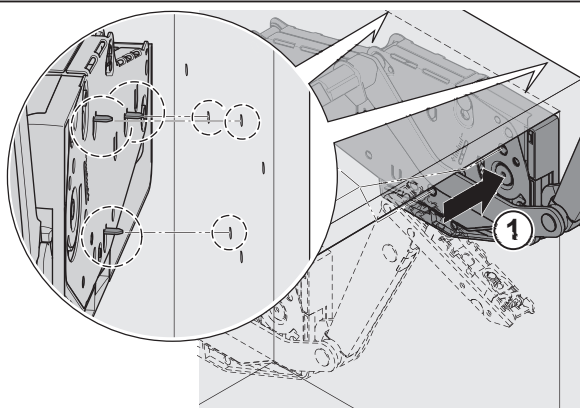
„mm“



3



„mm“

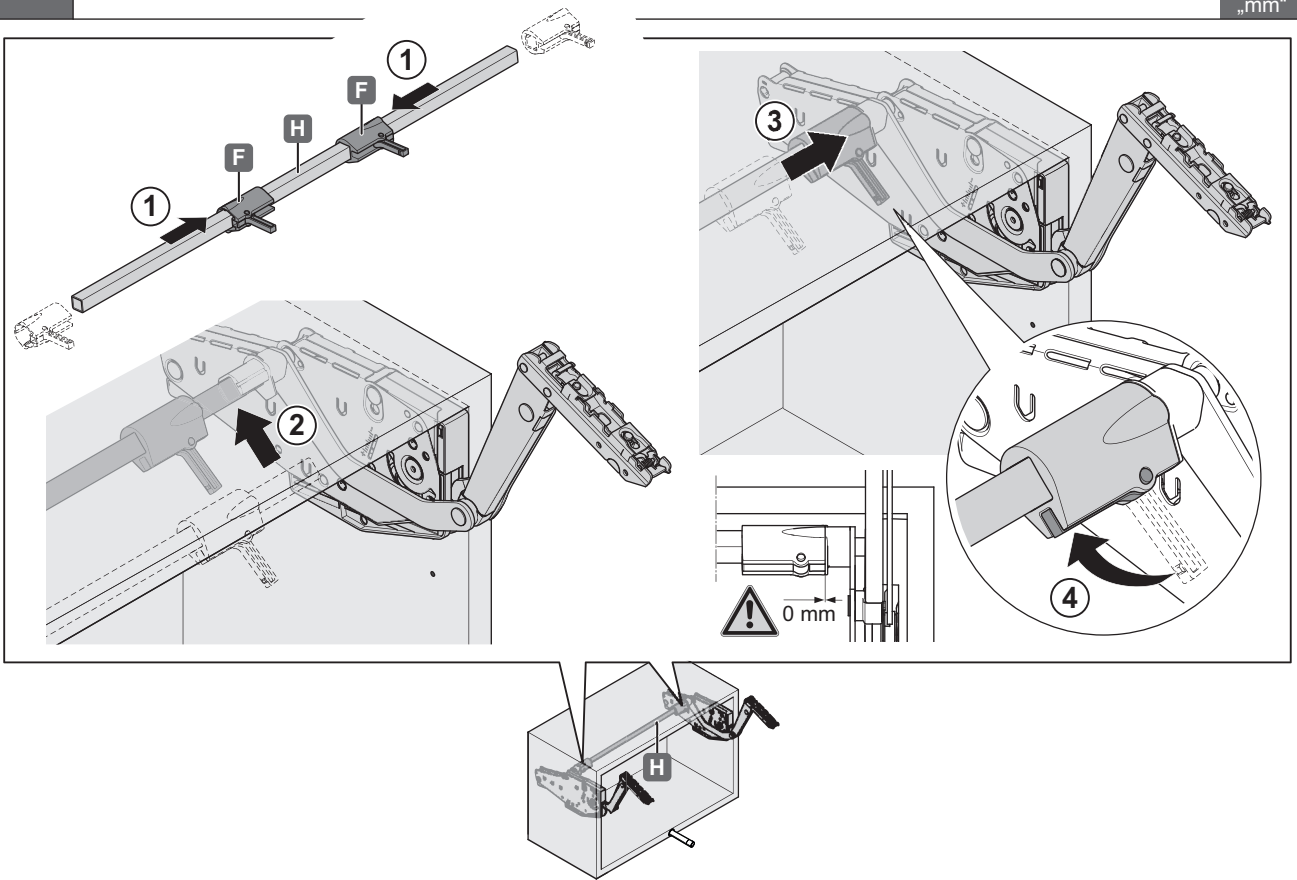


732.23.202

12.0001.010.468.0000.00

HDE 02/2018

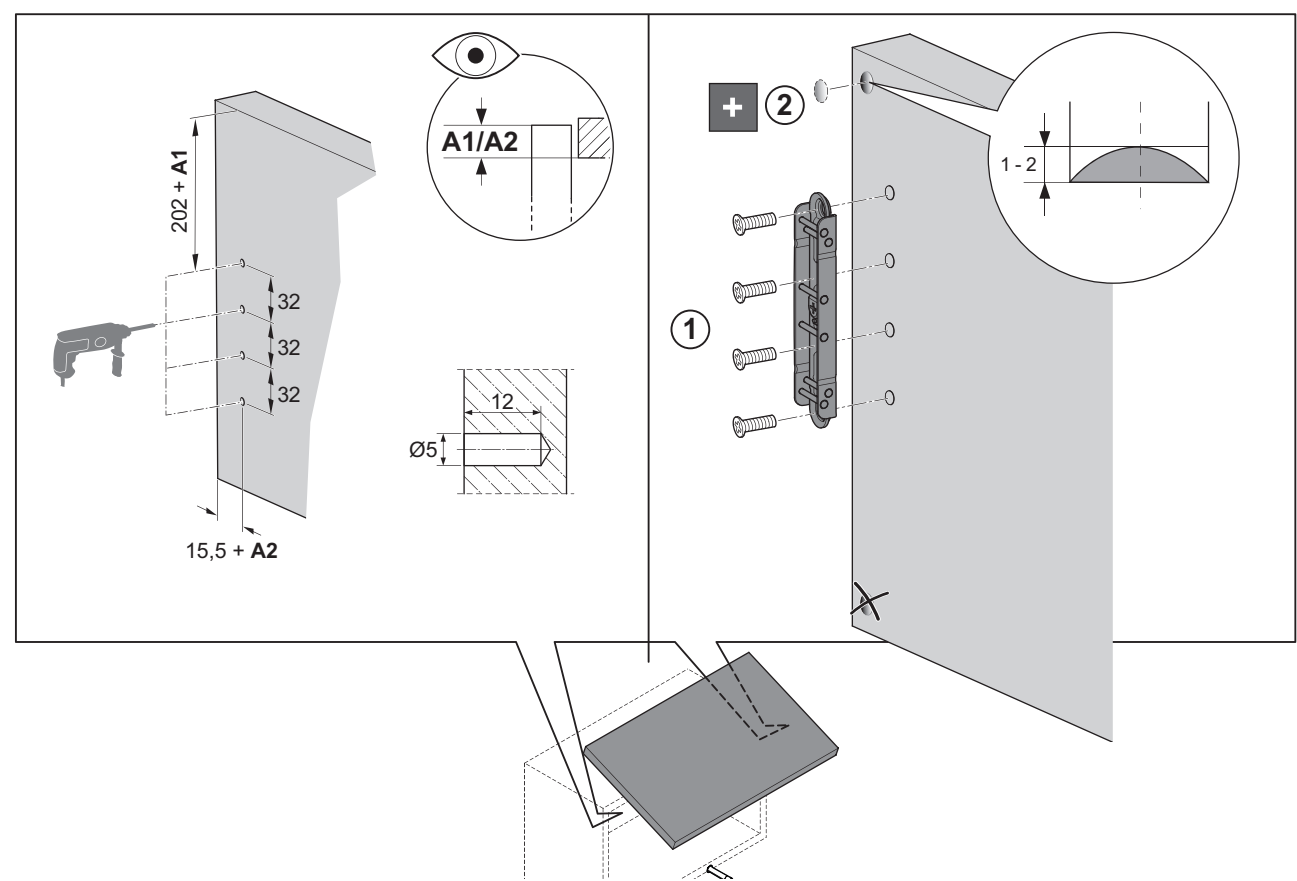
4



5



6

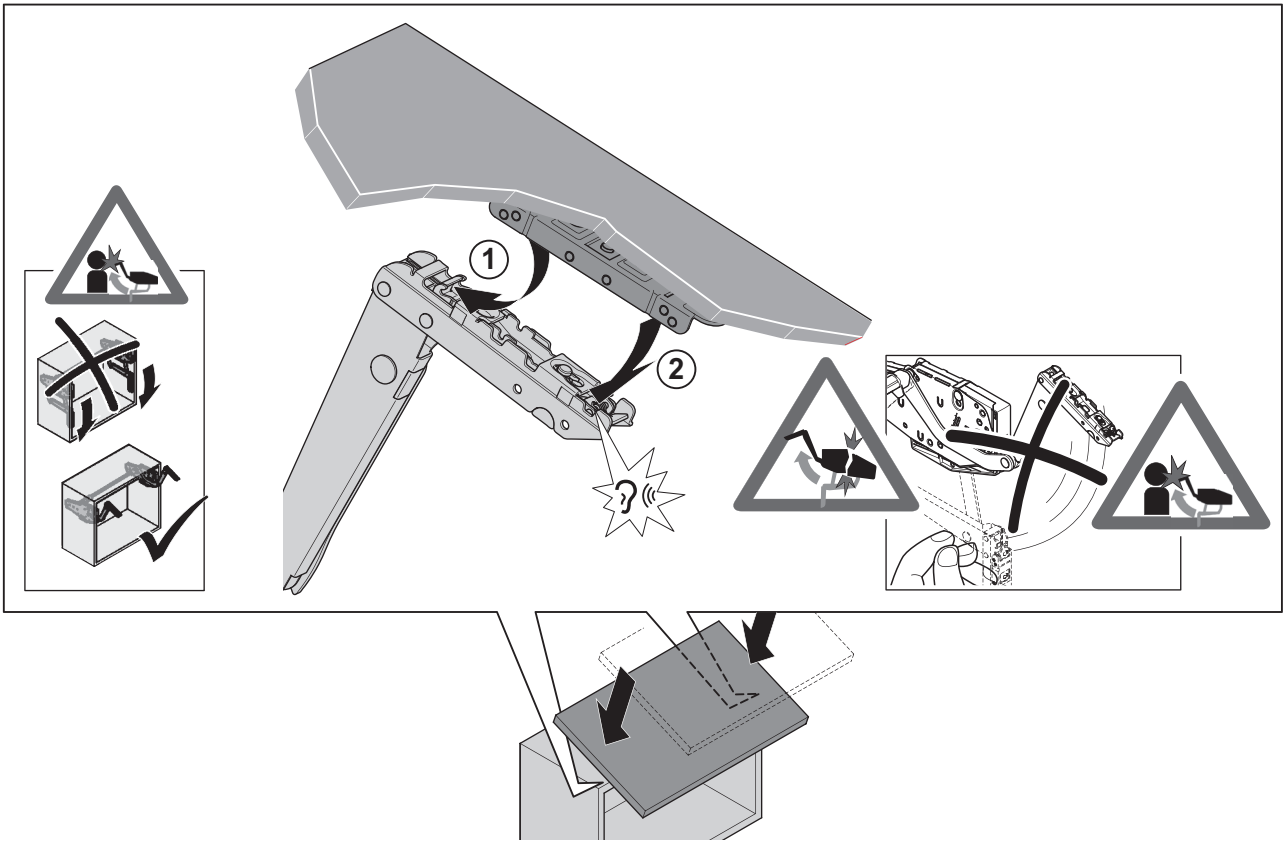


732.23.202

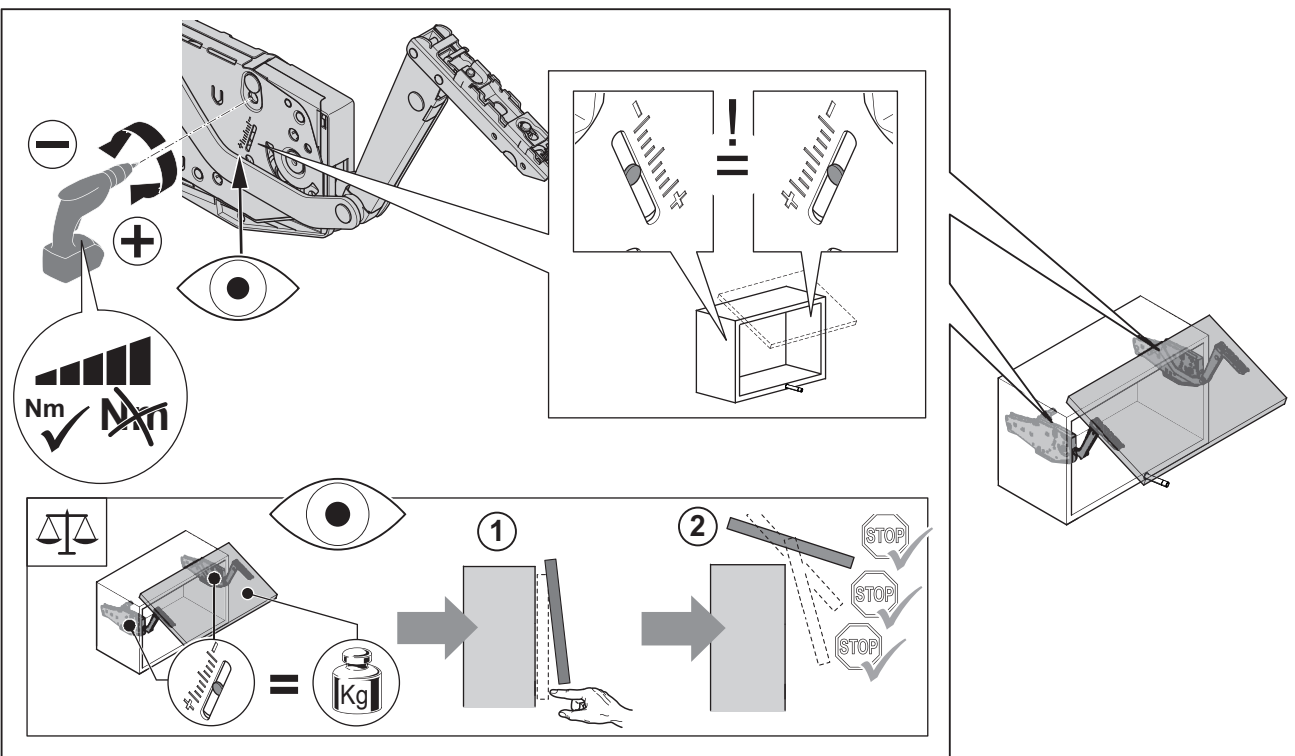
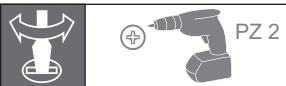
12.0001.010.468.0000.00

HDE 02/2018

7

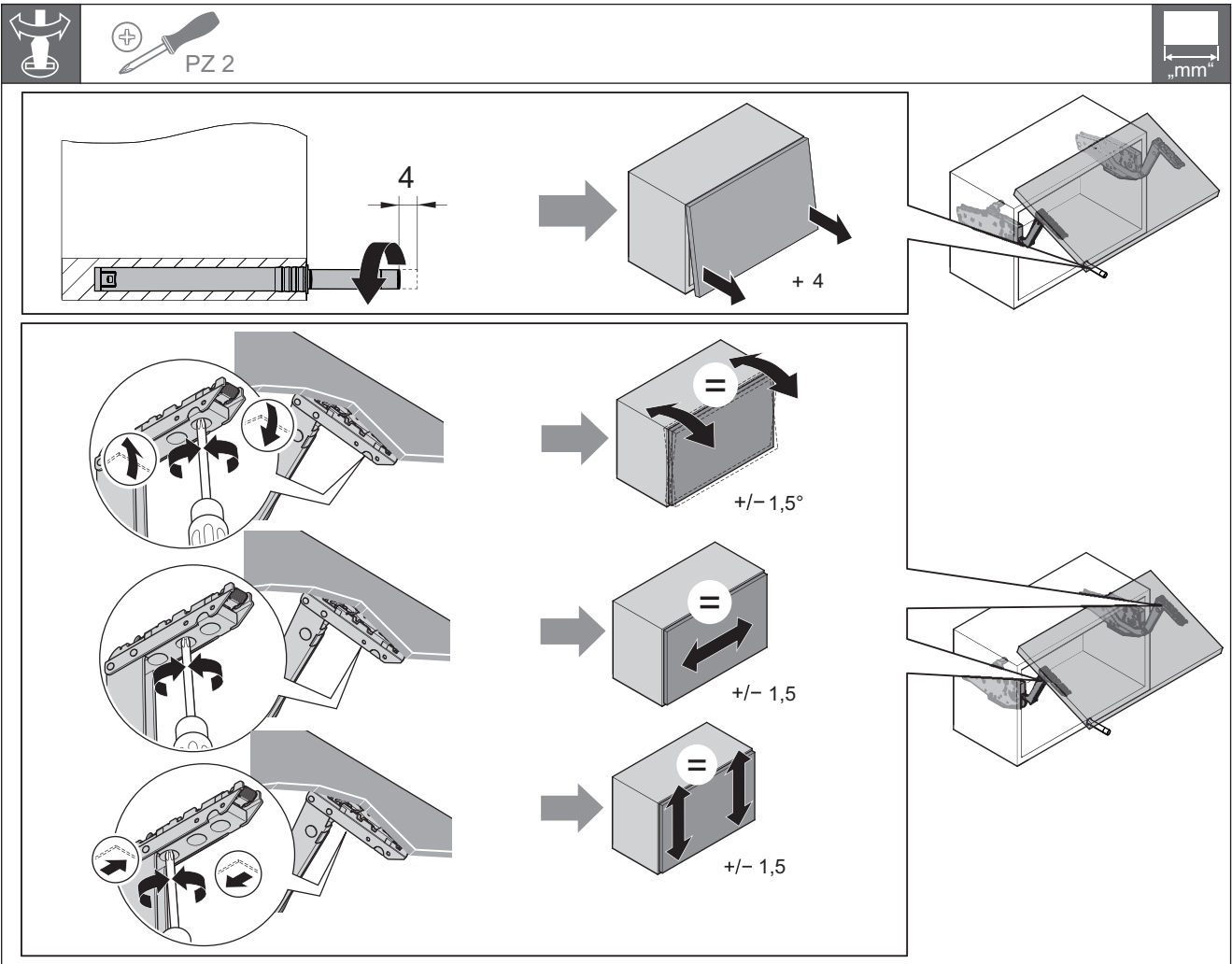


732.23.202

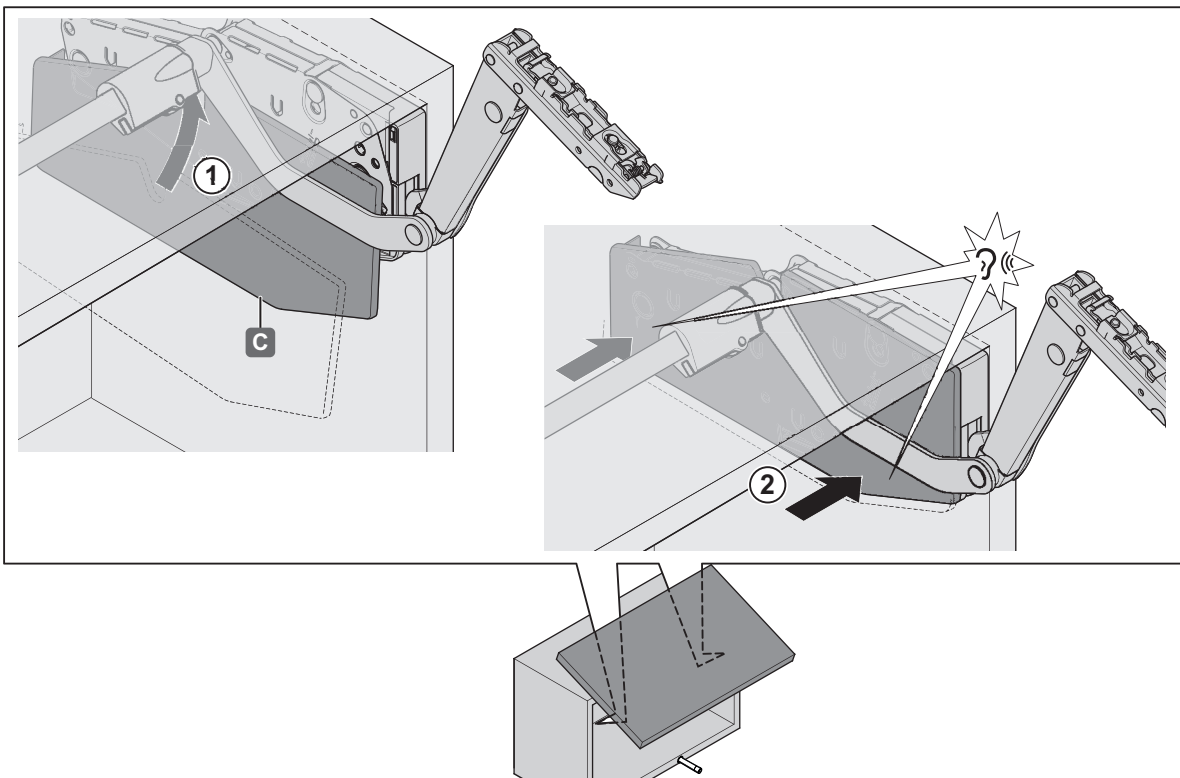


12.0001.010.468.0000.00

HDE 02/2018



8



732.23.202

12.0001.010.468.0000.00

HDE 02/2018