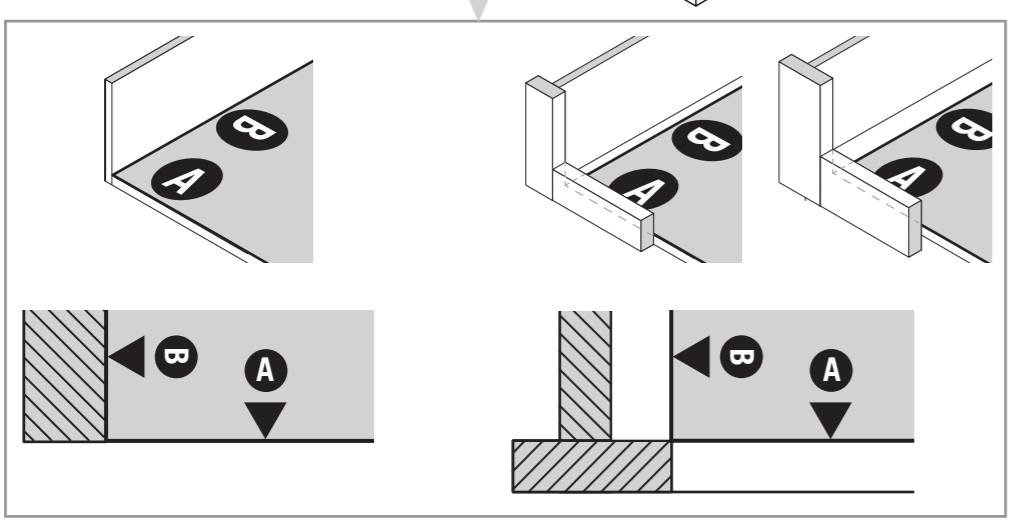
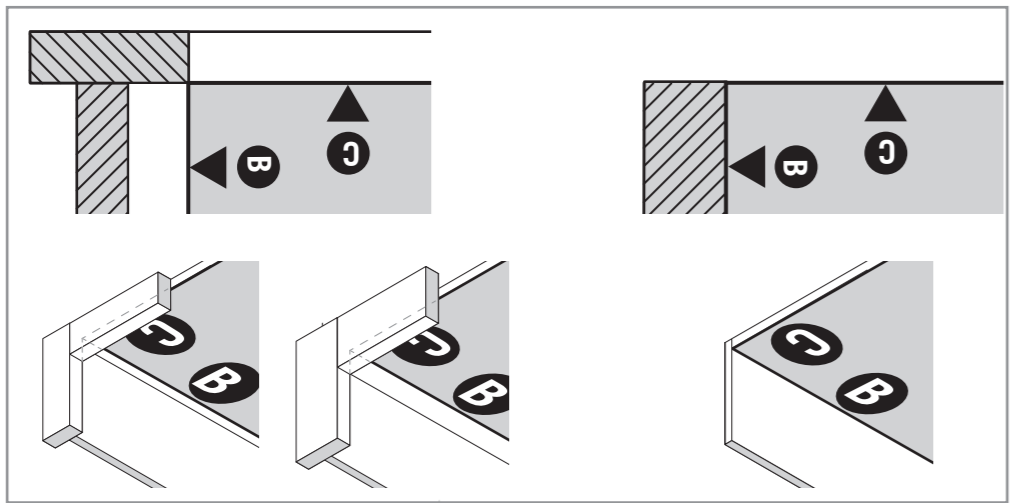
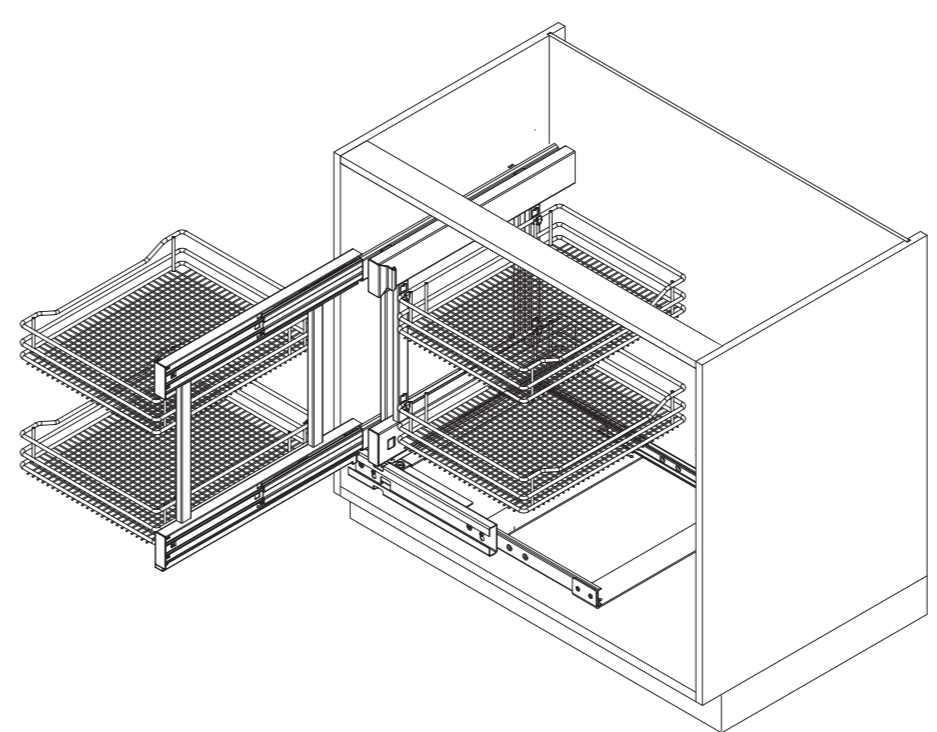
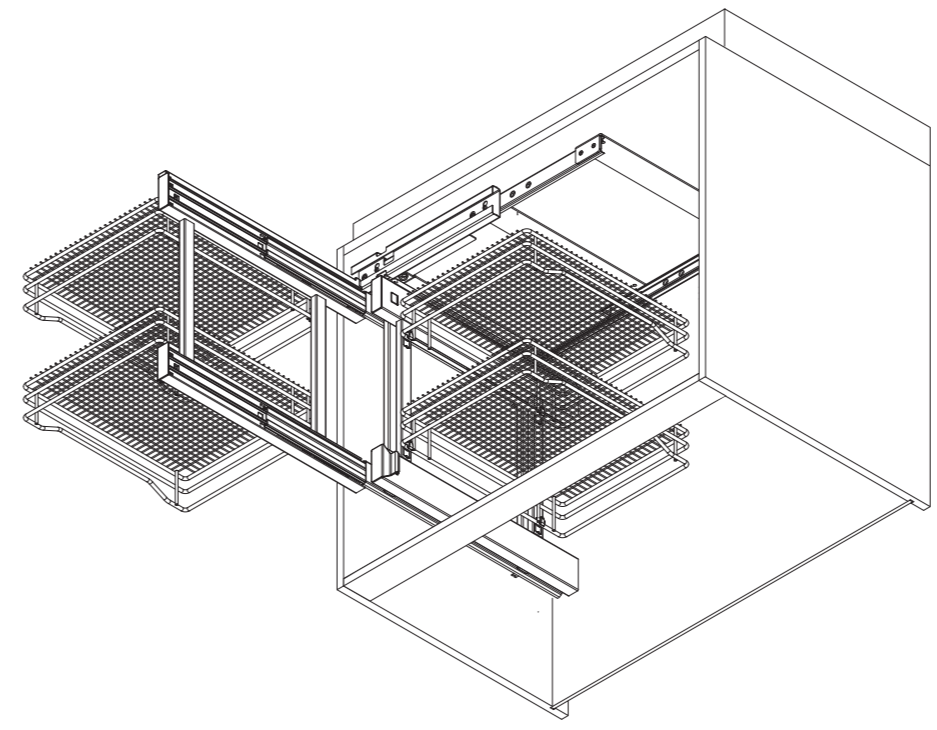
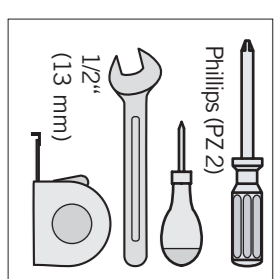
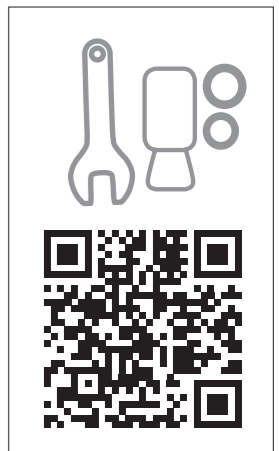


# VS COR® Flex



**G**

**A**

**B**

001K (K1200) „47-1/4“  
 0001 (K1000) „8/8-66“  
 006K (K900) „91/7-55“  
 35-7/16“ (K900)  
 39-3/8“ (K1000)  
 47-1/4“ (K1200)

0001 (K1200) „47-1/4“  
 0000 (K1000) „39-3/8“  
 006K (K900) „35-7/16“  
 35-7/16“ (K900)  
 39-3/8“ (K1000)  
 47-1/4“ (K1200)

006K (K900) „35-7/16“  
 0001 (K1200) „47-1/4“

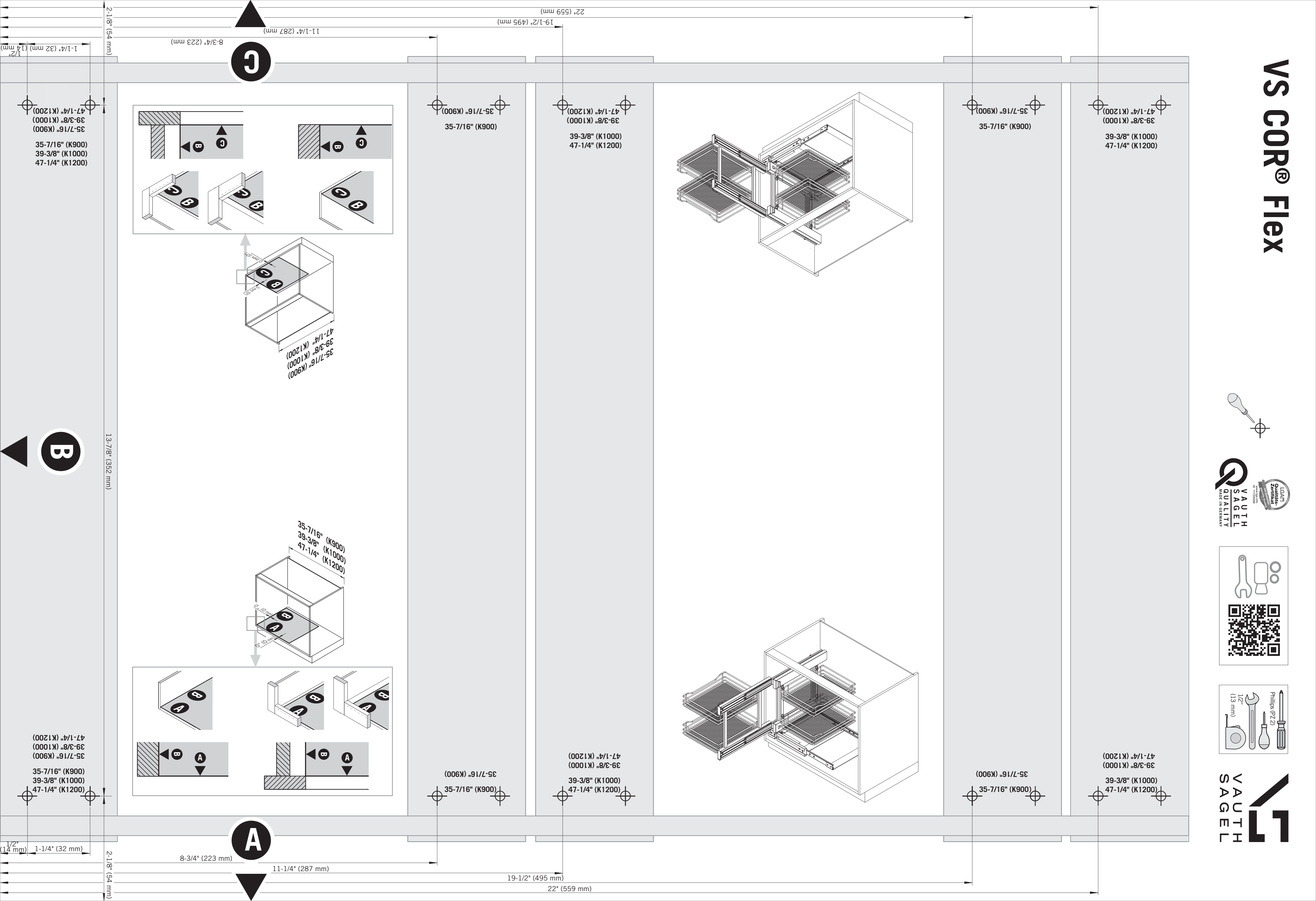
0001 (K1200) „47-1/4“  
 0000 (K1000) „39-3/8“  
 0001 (K1200) „47-1/4“

006K (K900) „35-7/16“

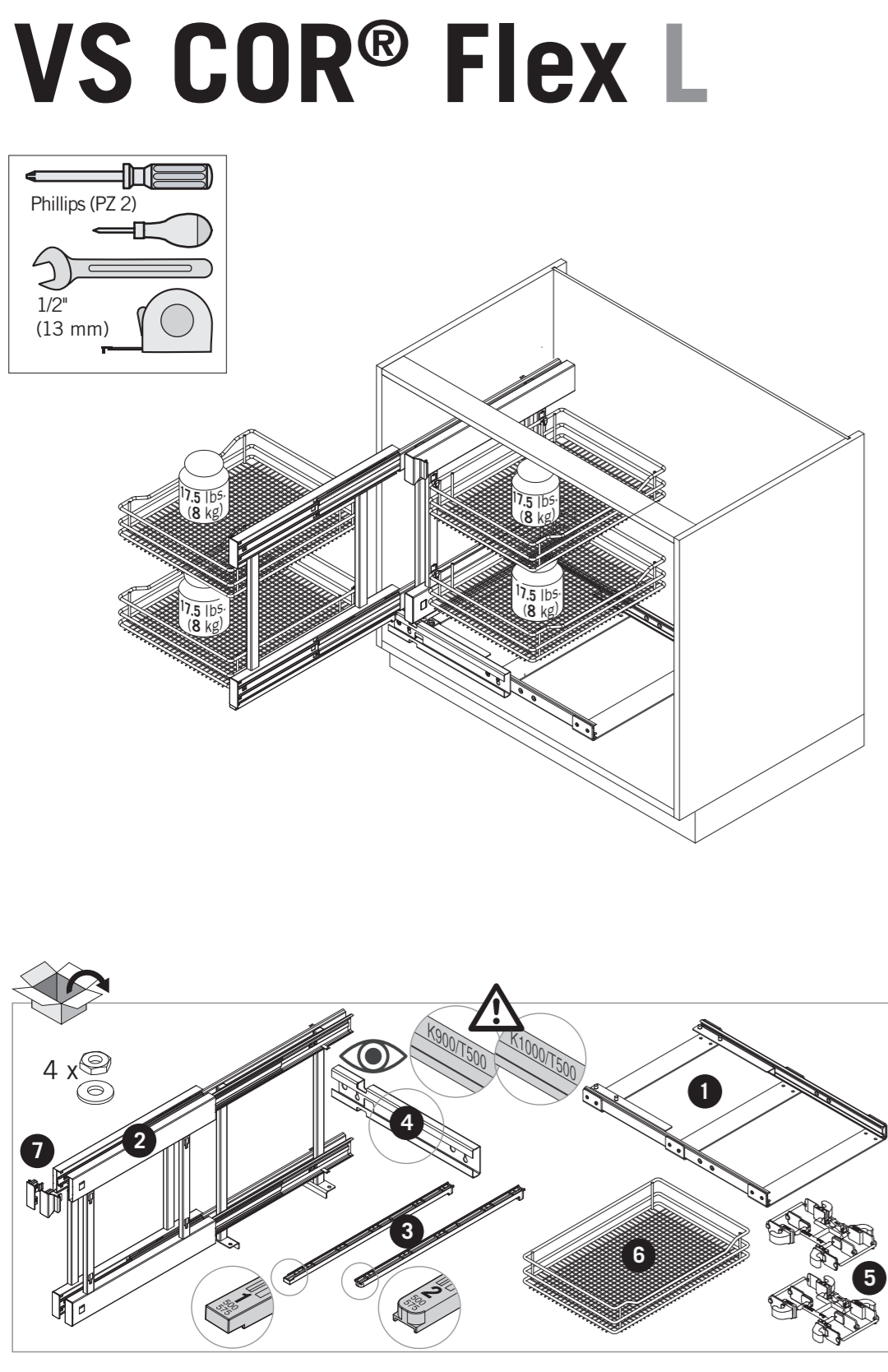
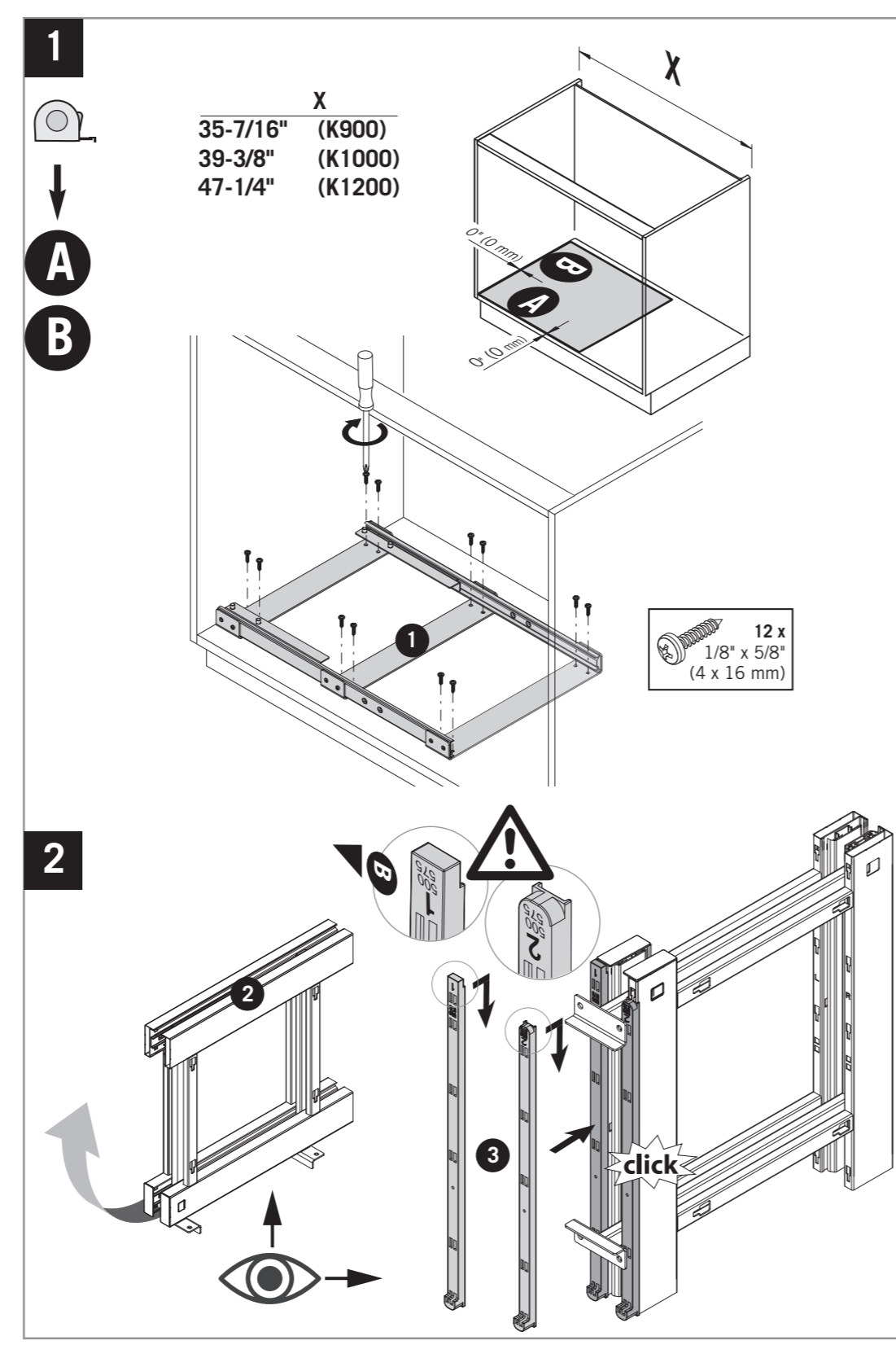
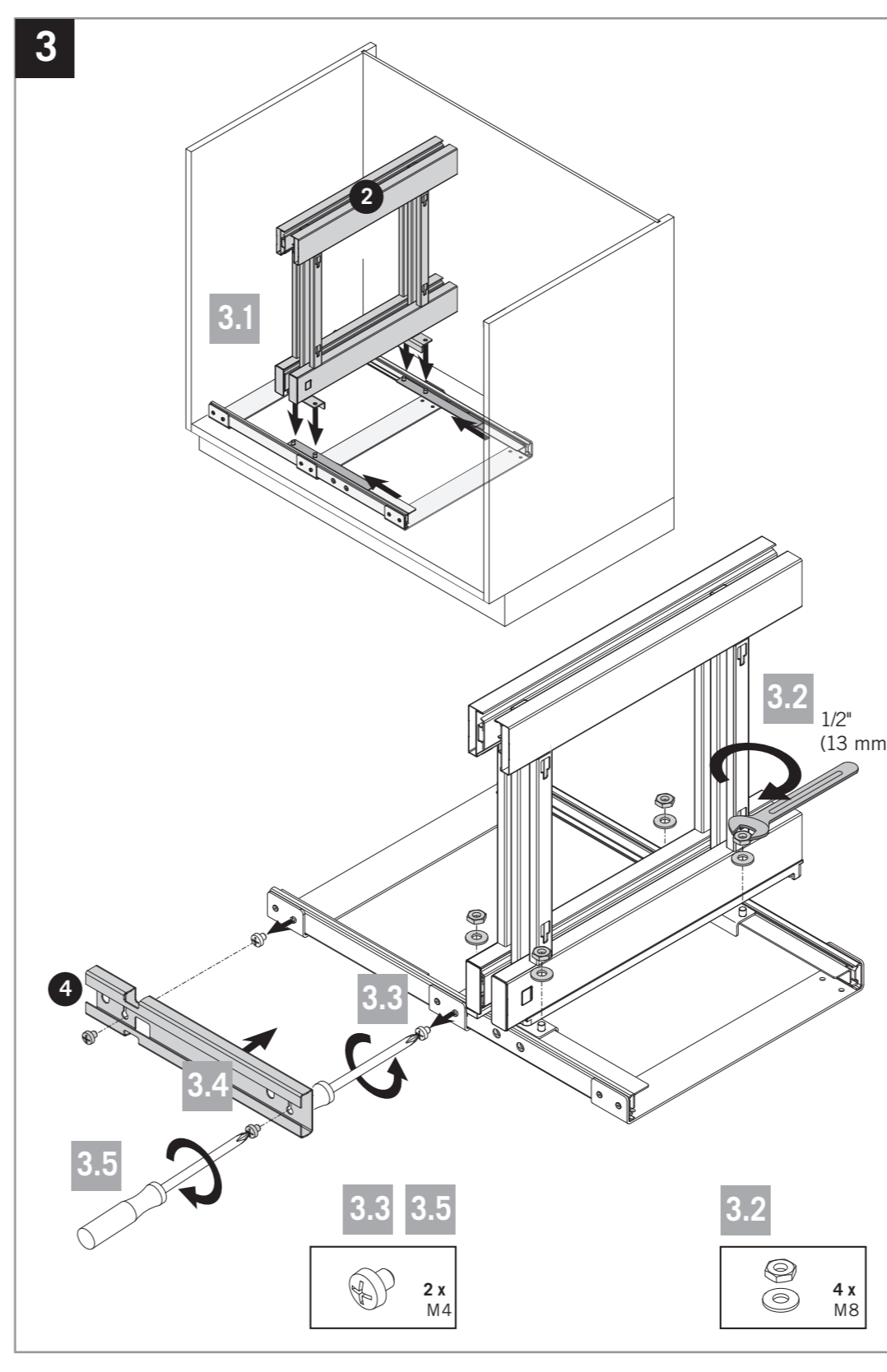
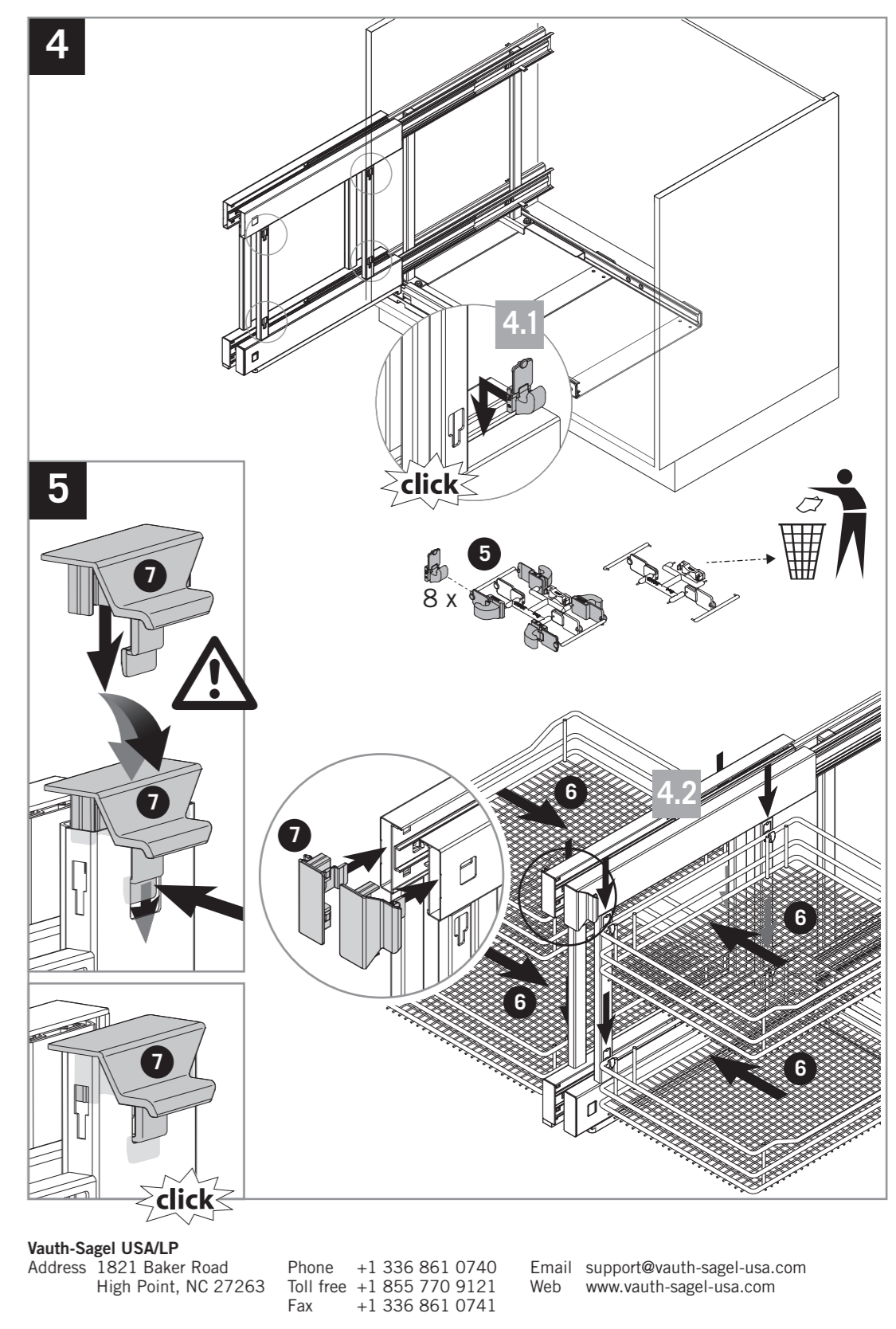
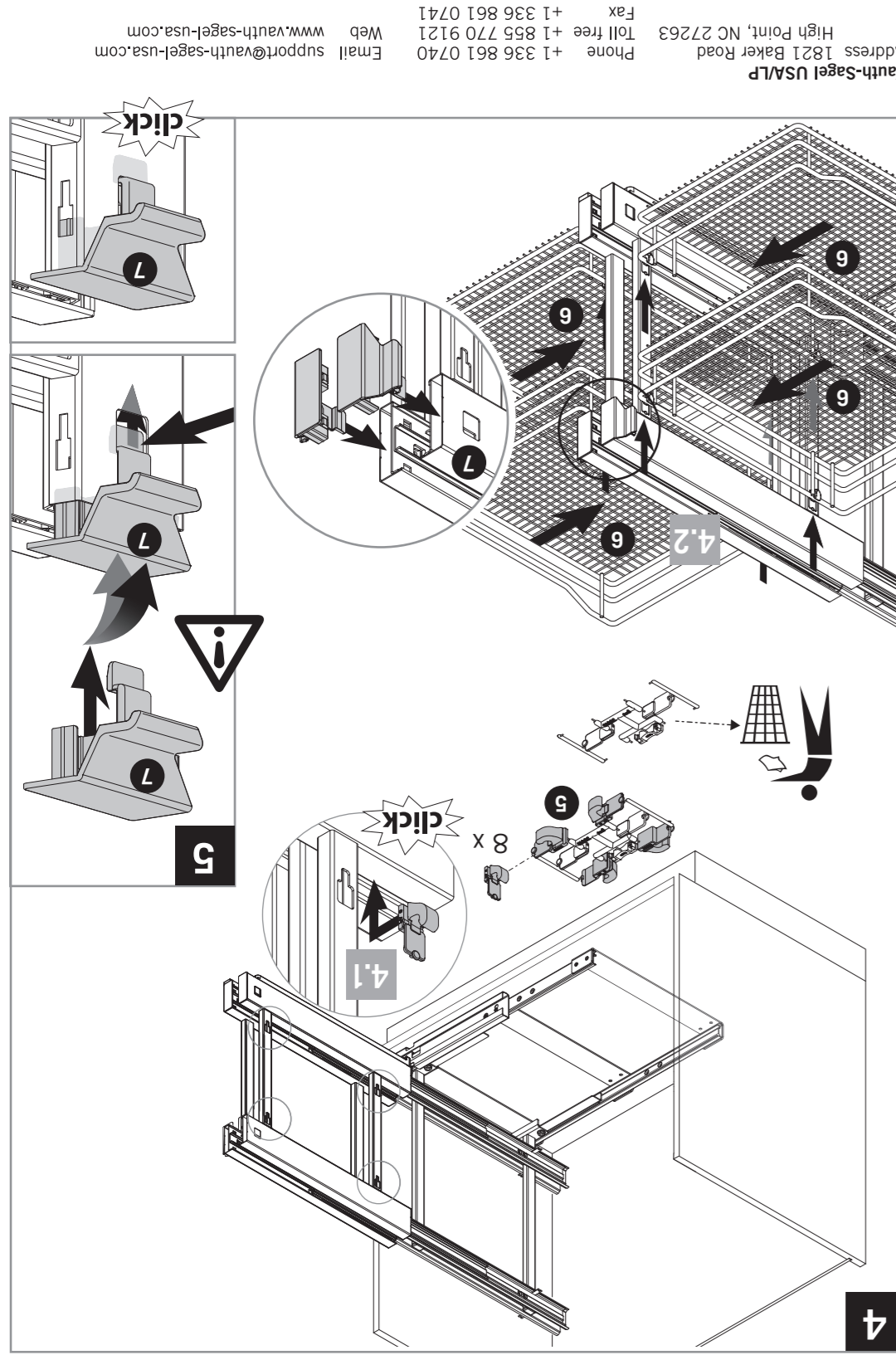
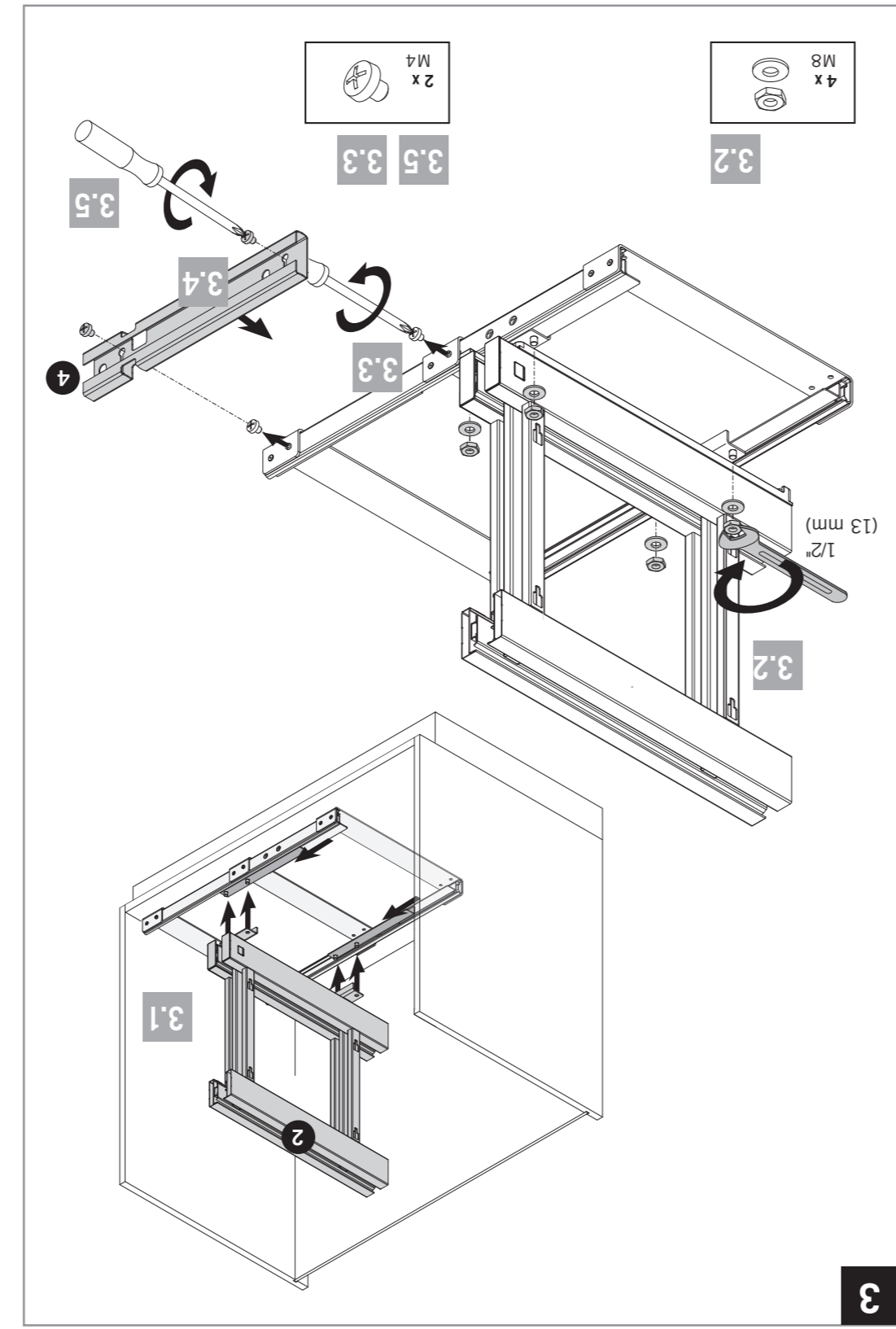
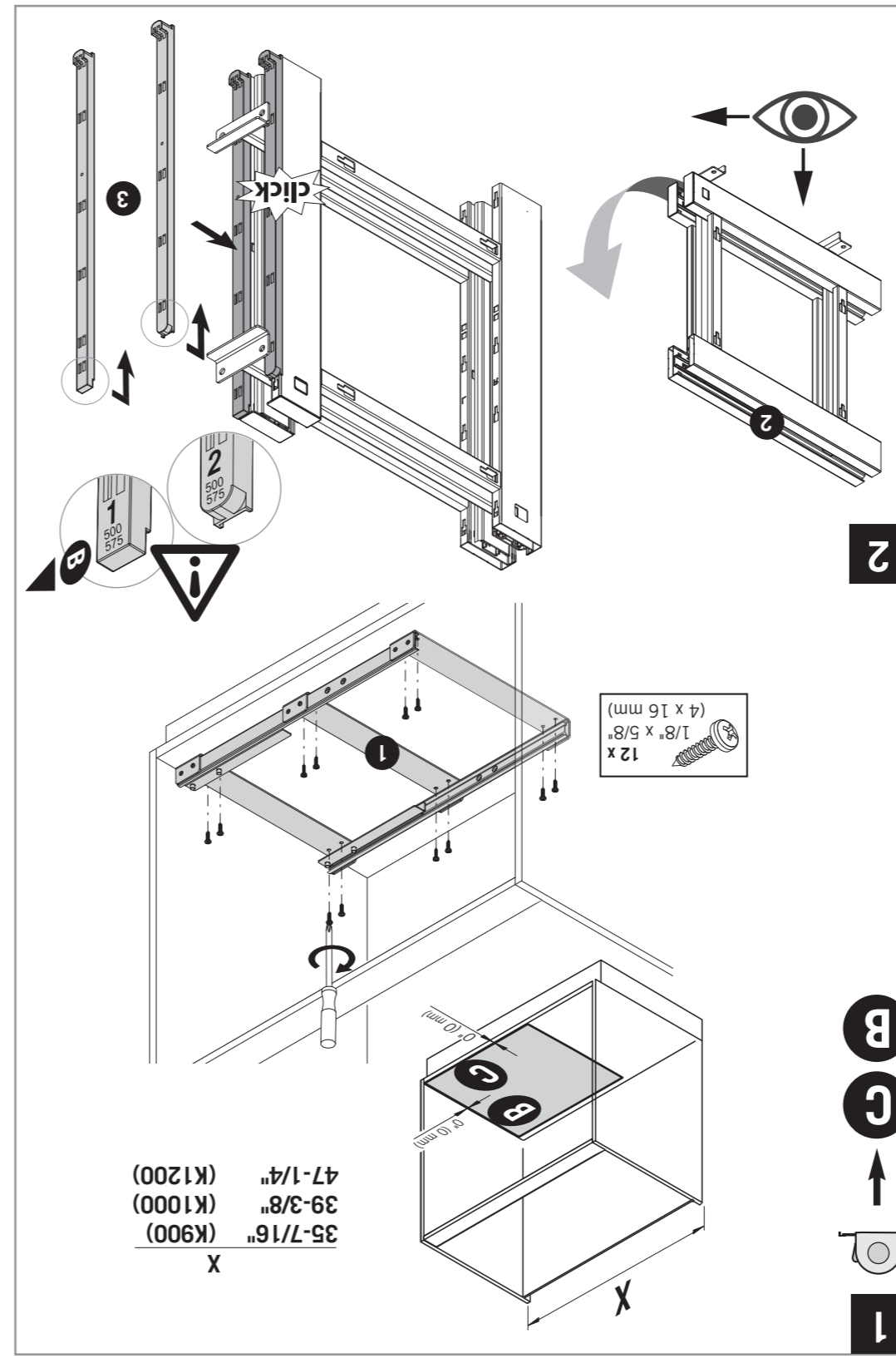
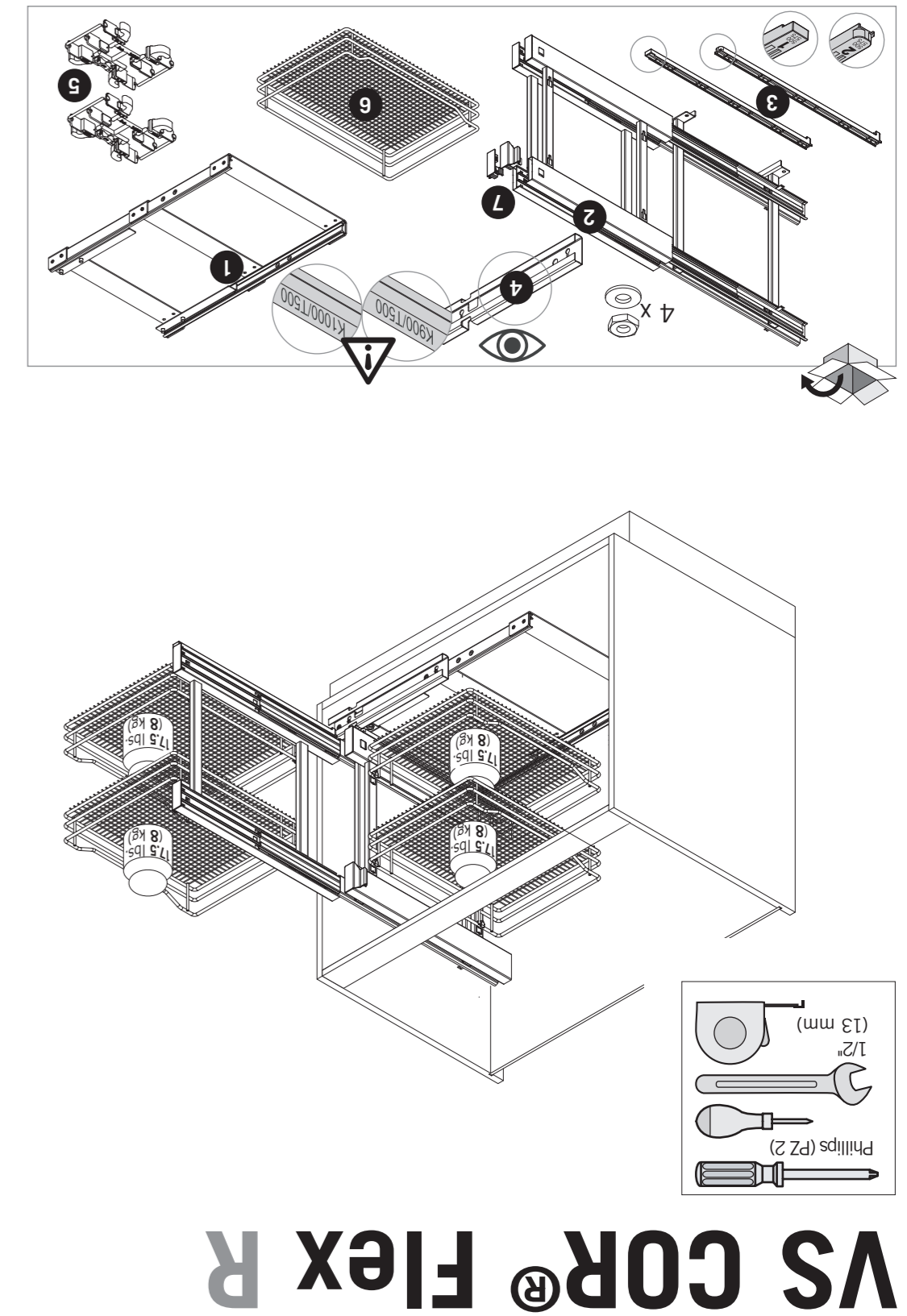
0001 (K1200) „47-1/4“  
 0000 (K1000) „39-3/8“

006K (K900) „35-7/16“

0001 (K1200) „47-1/4“  
 0000 (K1000) „39-3/8“



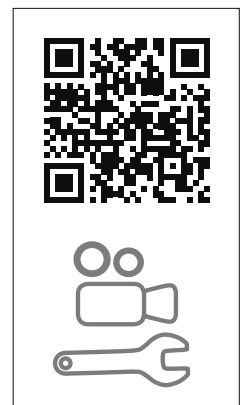
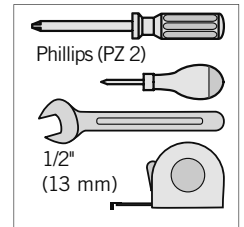
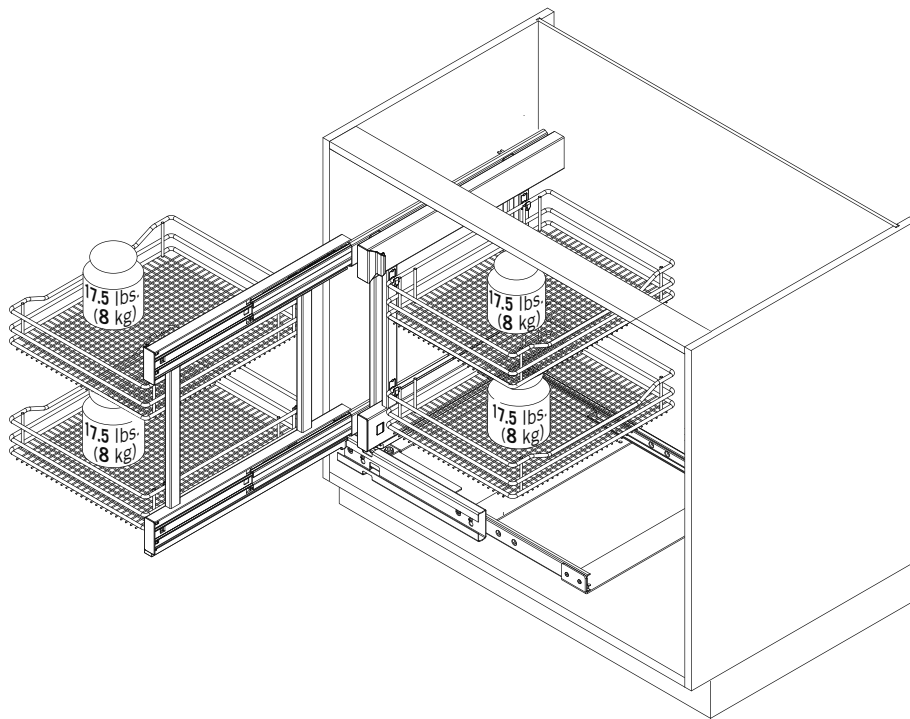




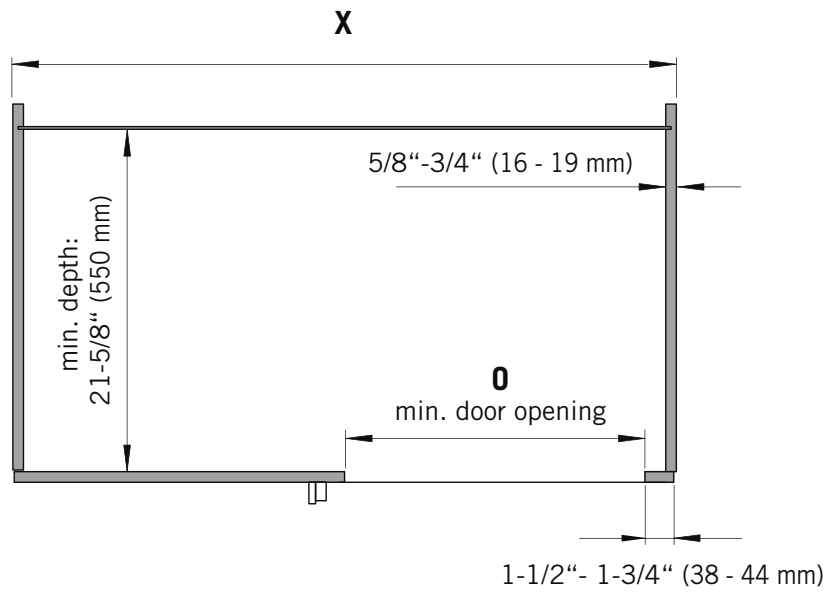
10/2020  
44012136\_02



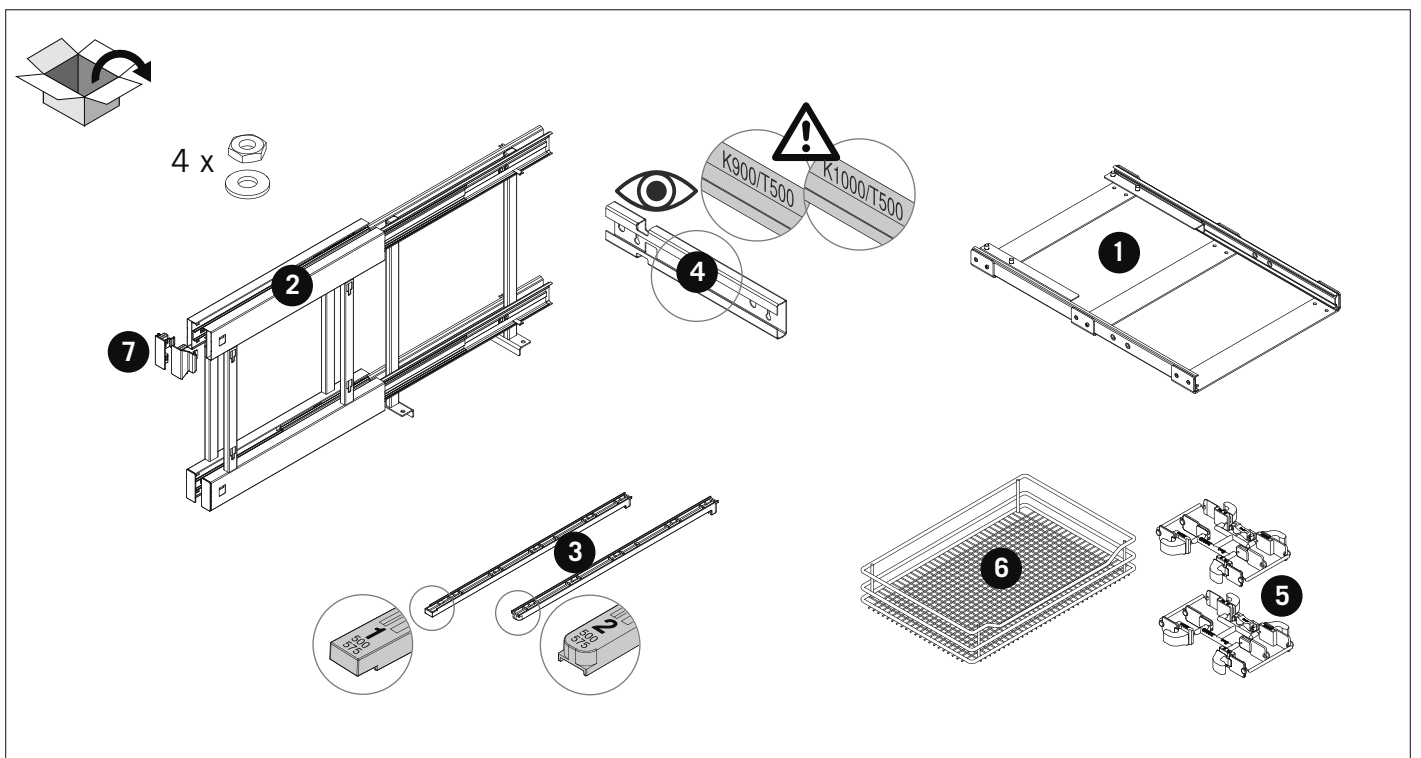
# VS COR® Flex L



# CABINET DIMENSIONS



<b>X</b>	<b>36" (K 900 mm)</b>	<b>39" (K 1000 mm)</b>
<b>0</b>	15" (381 mm)	17-1/2" (444 mm)

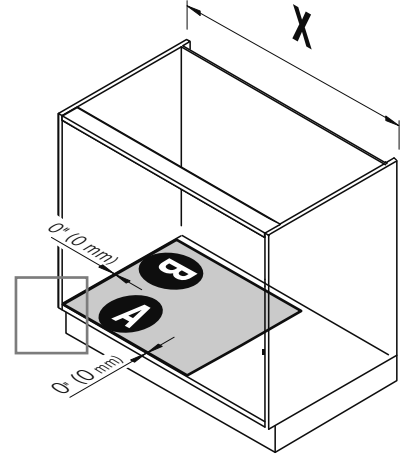
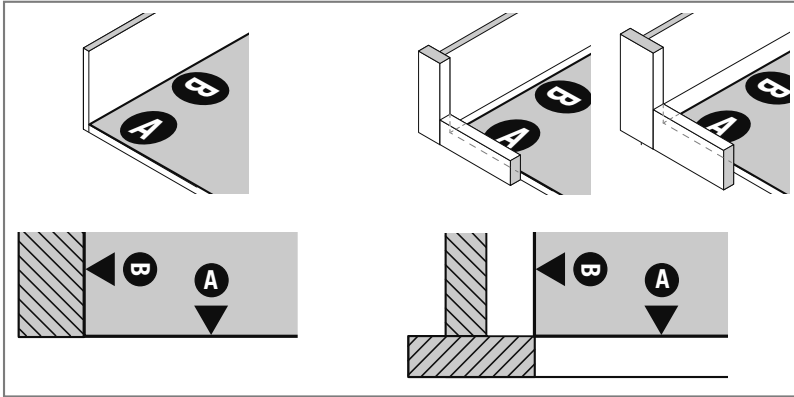


1

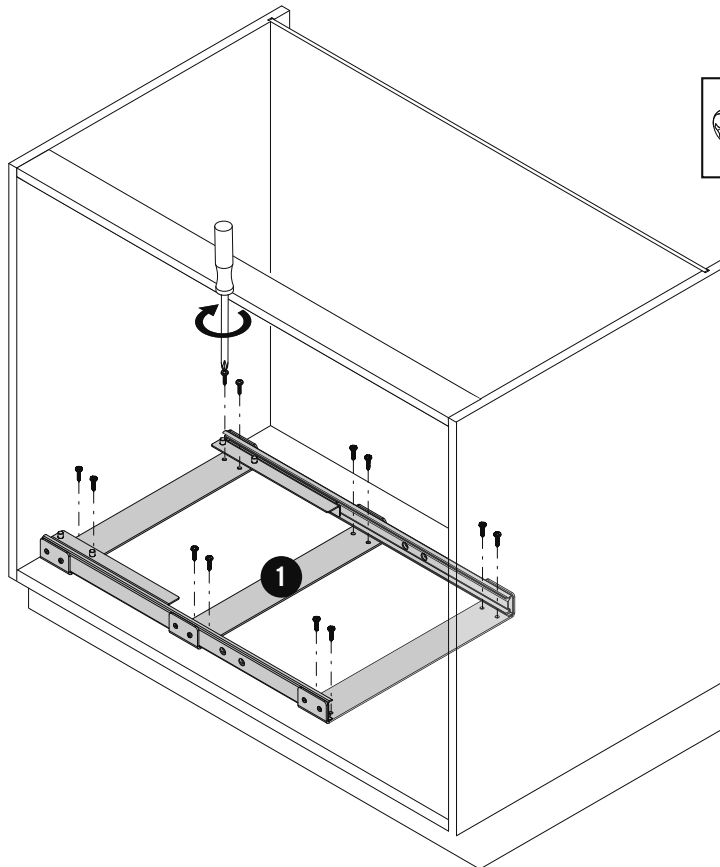
A



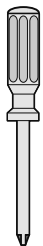
B



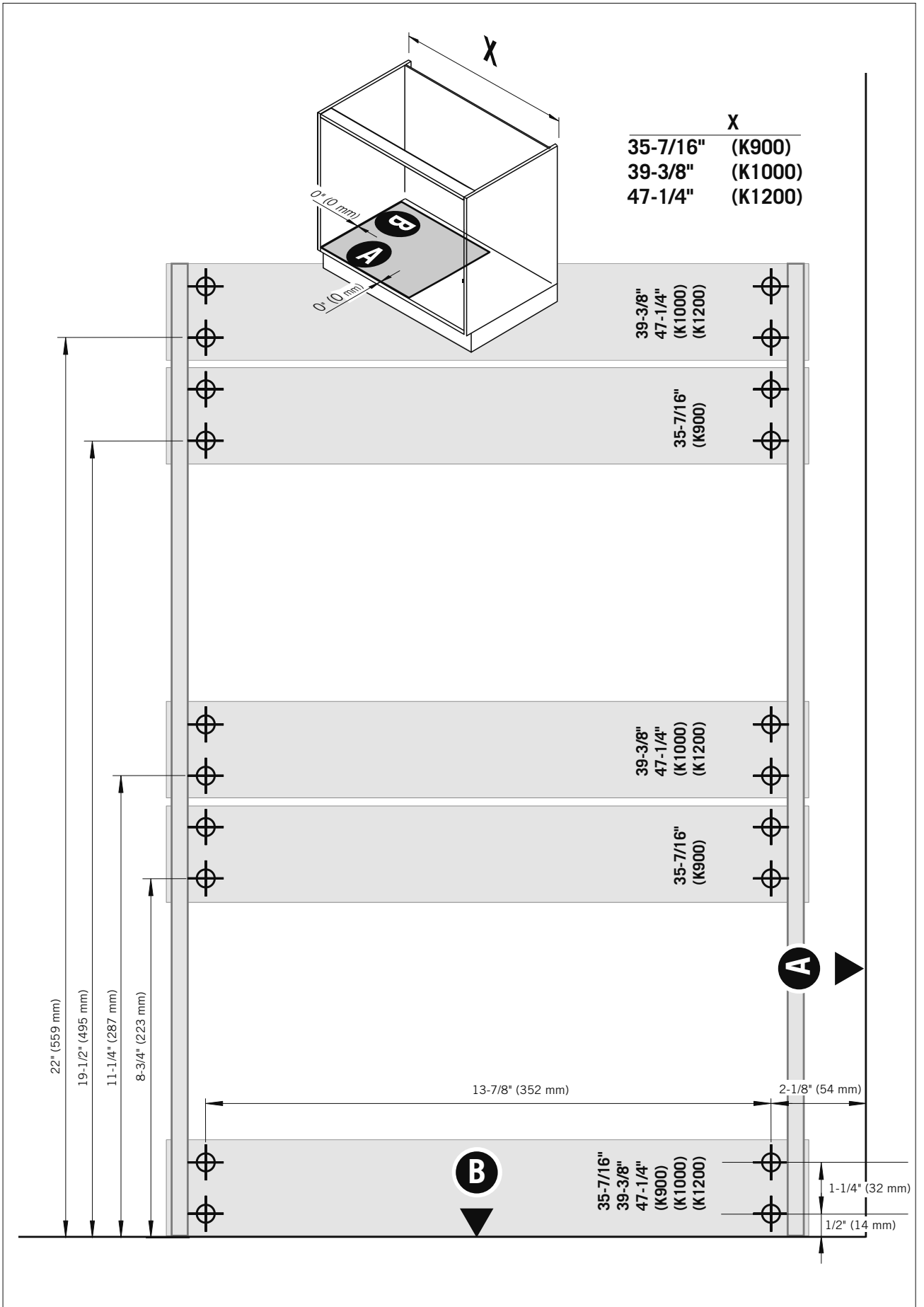
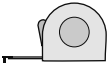
	X
35-7/16"	(K900)
39-3/8"	(K1000)
47-1/4"	(K1200)



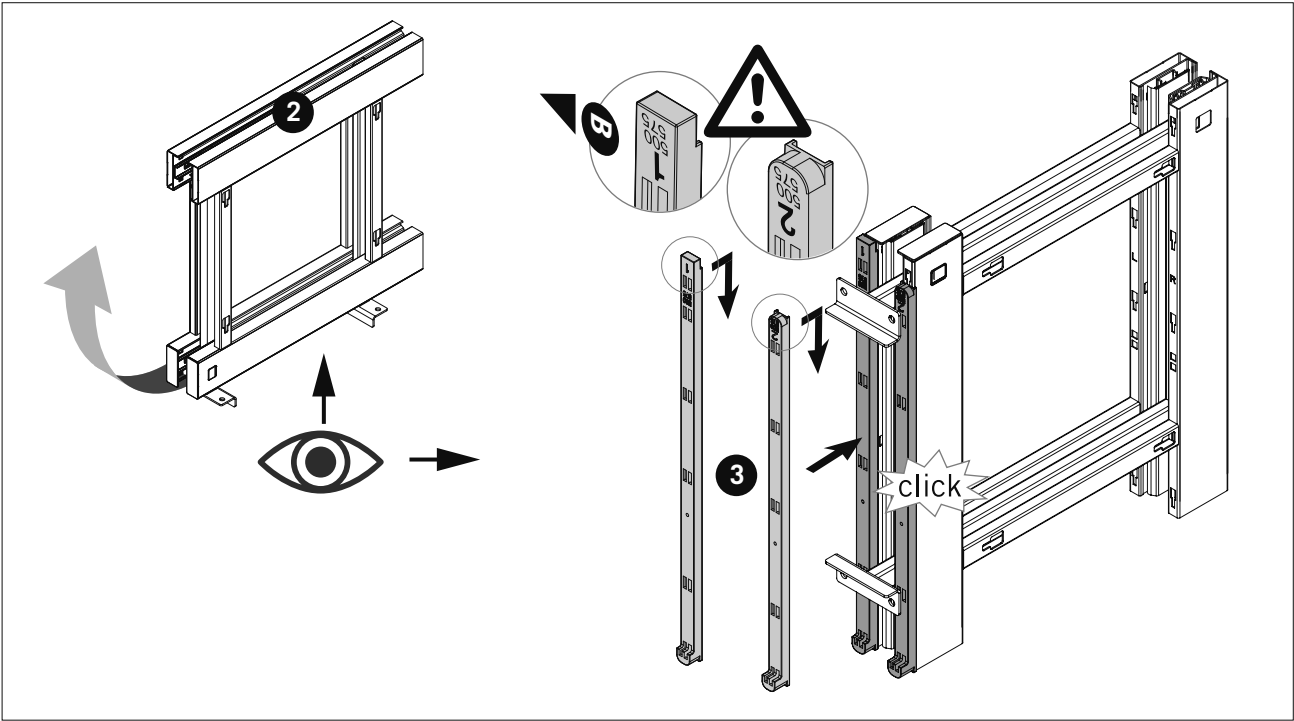
12 x  
1/8" x 5/8"  
(4 x 16 mm)



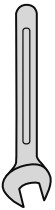
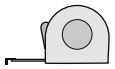
1



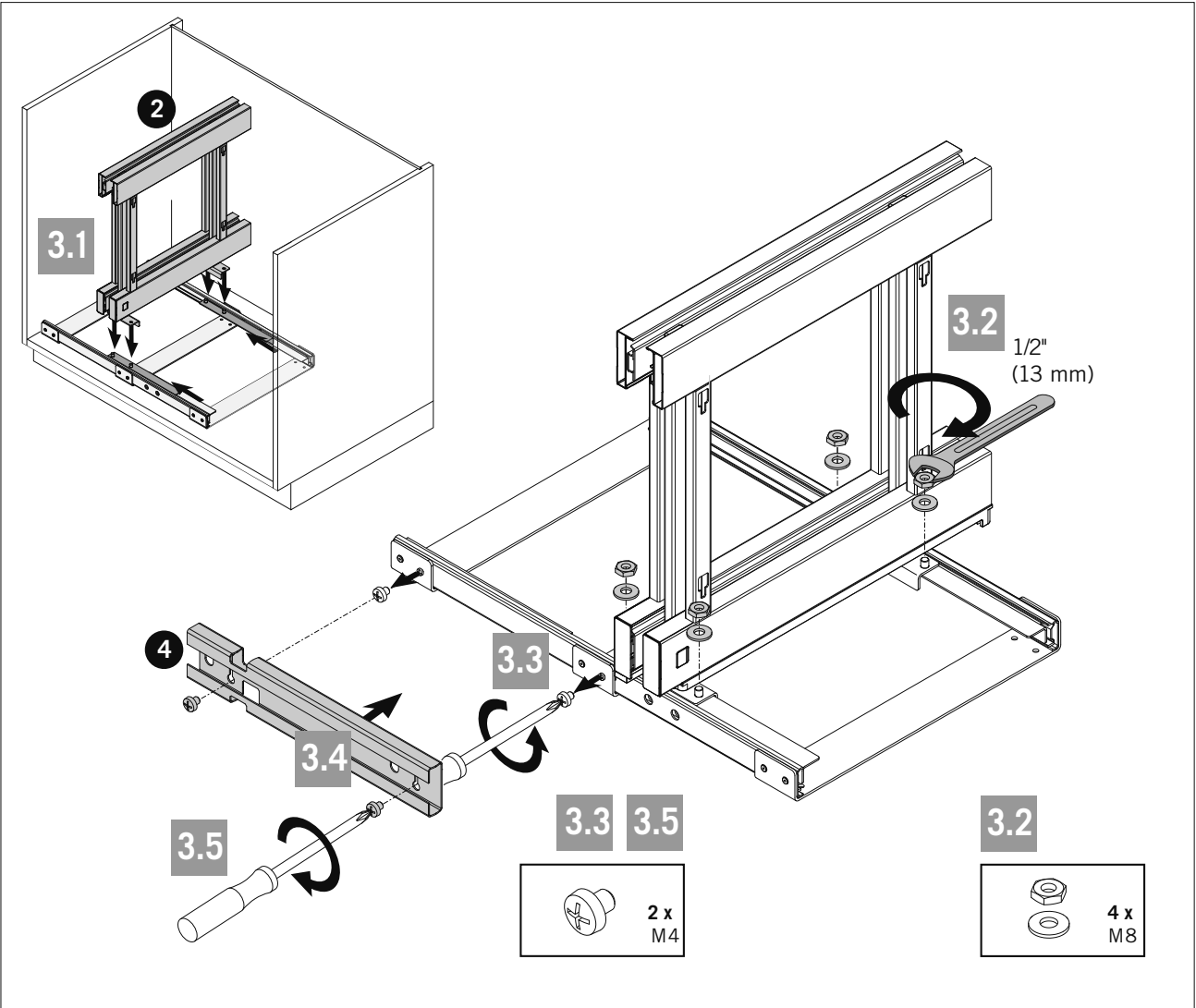
**2**



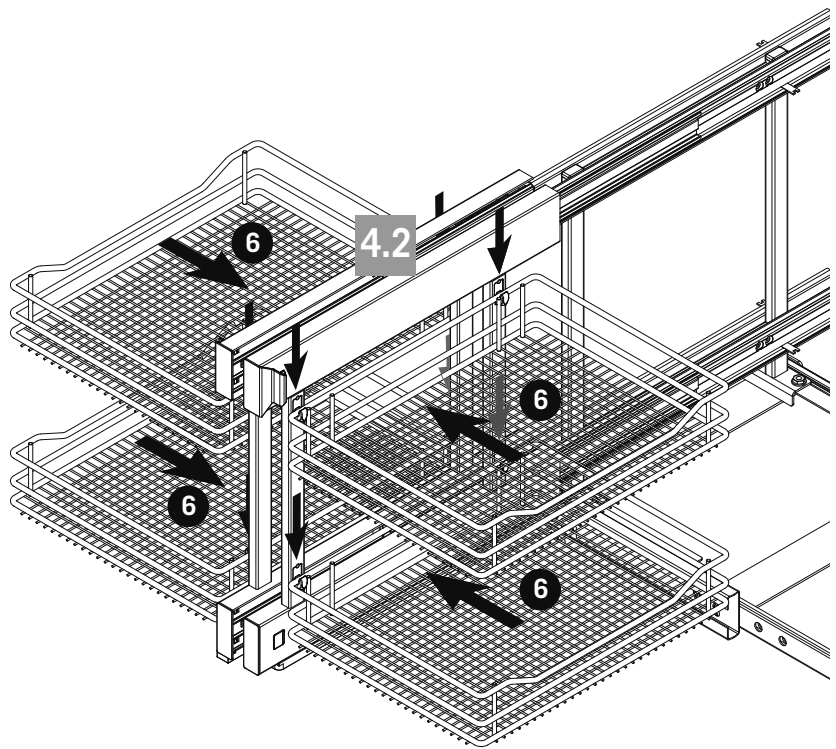
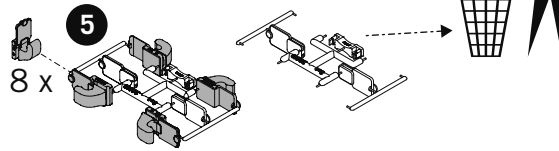
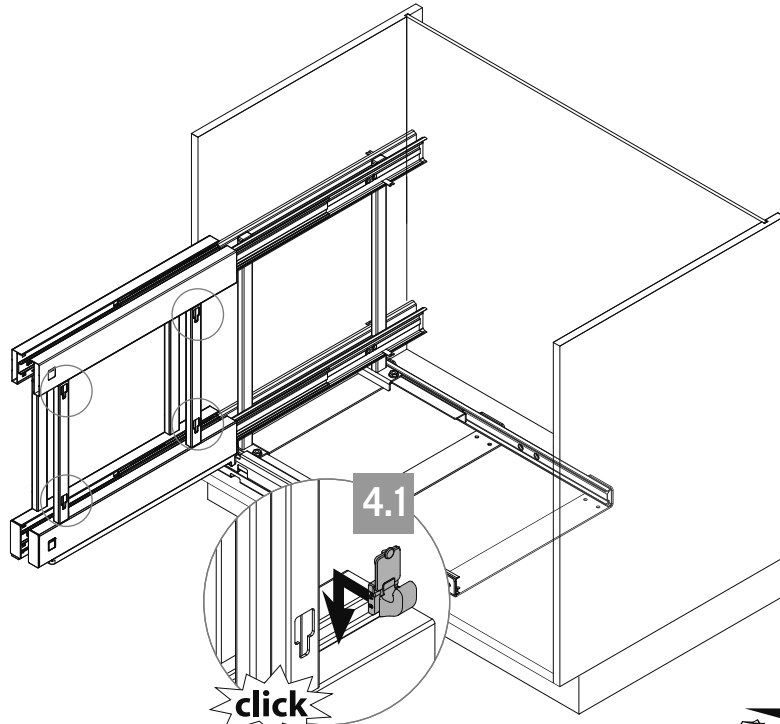
**3**



1/2"  
(13 mm)

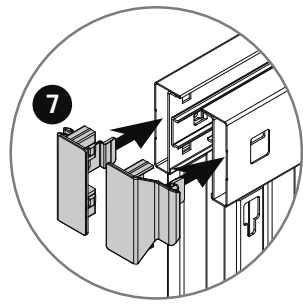
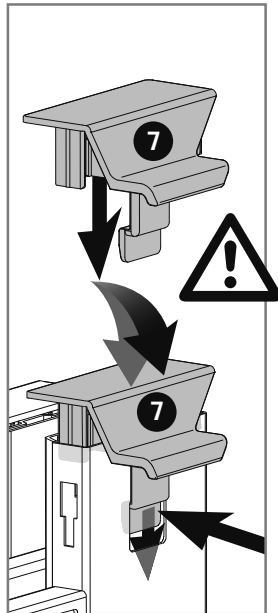
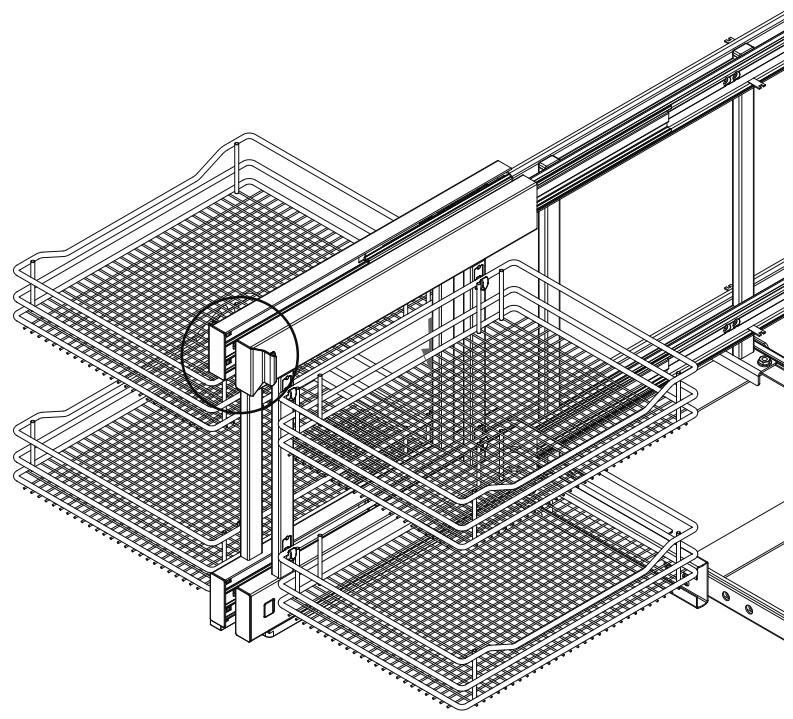


4





5



**Vauth-Sagel USA LP**

Address 1821 Baker Road  
High Point, NC 27263

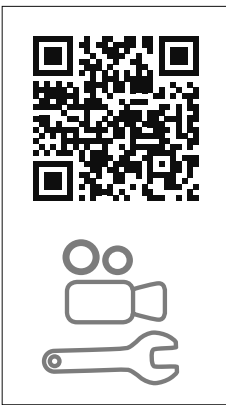
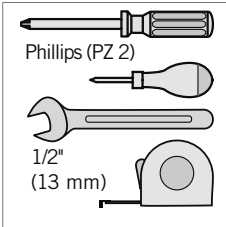
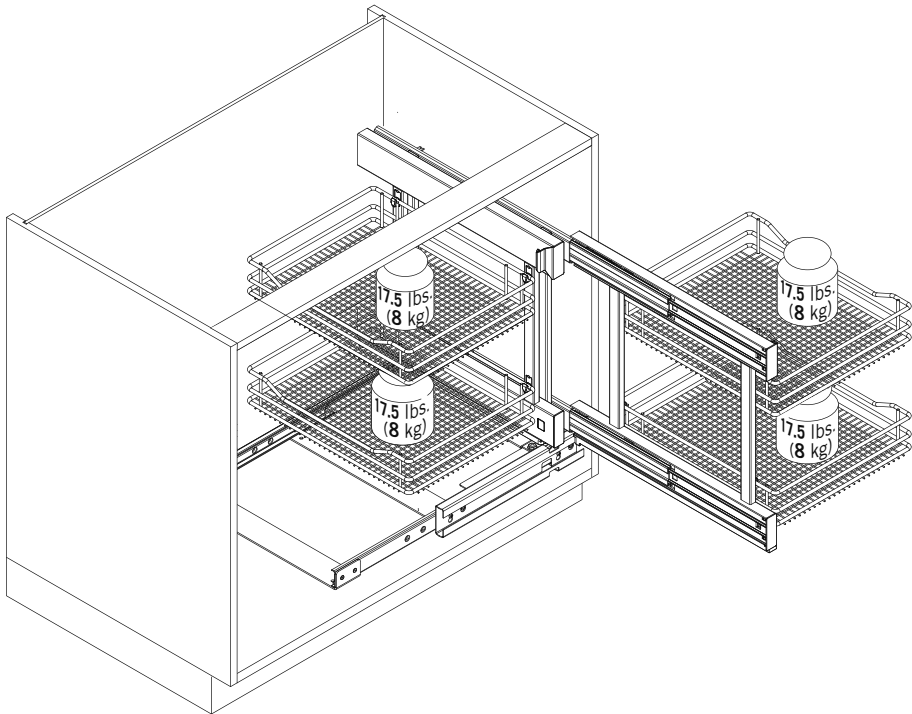
Phone +1 336 861 0740  
Toll free +1 855 770 9121  
Fax +1 336 861 0741

Email [support@vauth-sagel-usa.com](mailto:support@vauth-sagel-usa.com)  
Web [www.vauth-sagel-usa.com](http://www.vauth-sagel-usa.com)

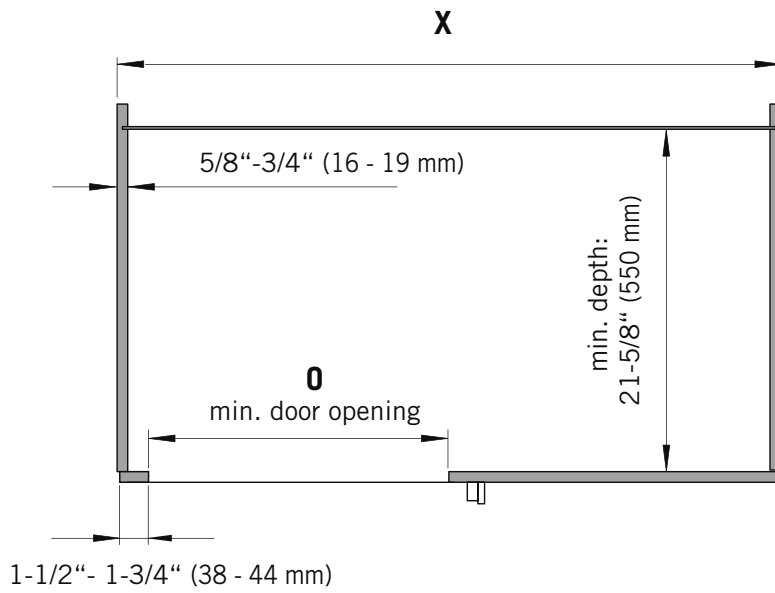
# VS COR® Flex R



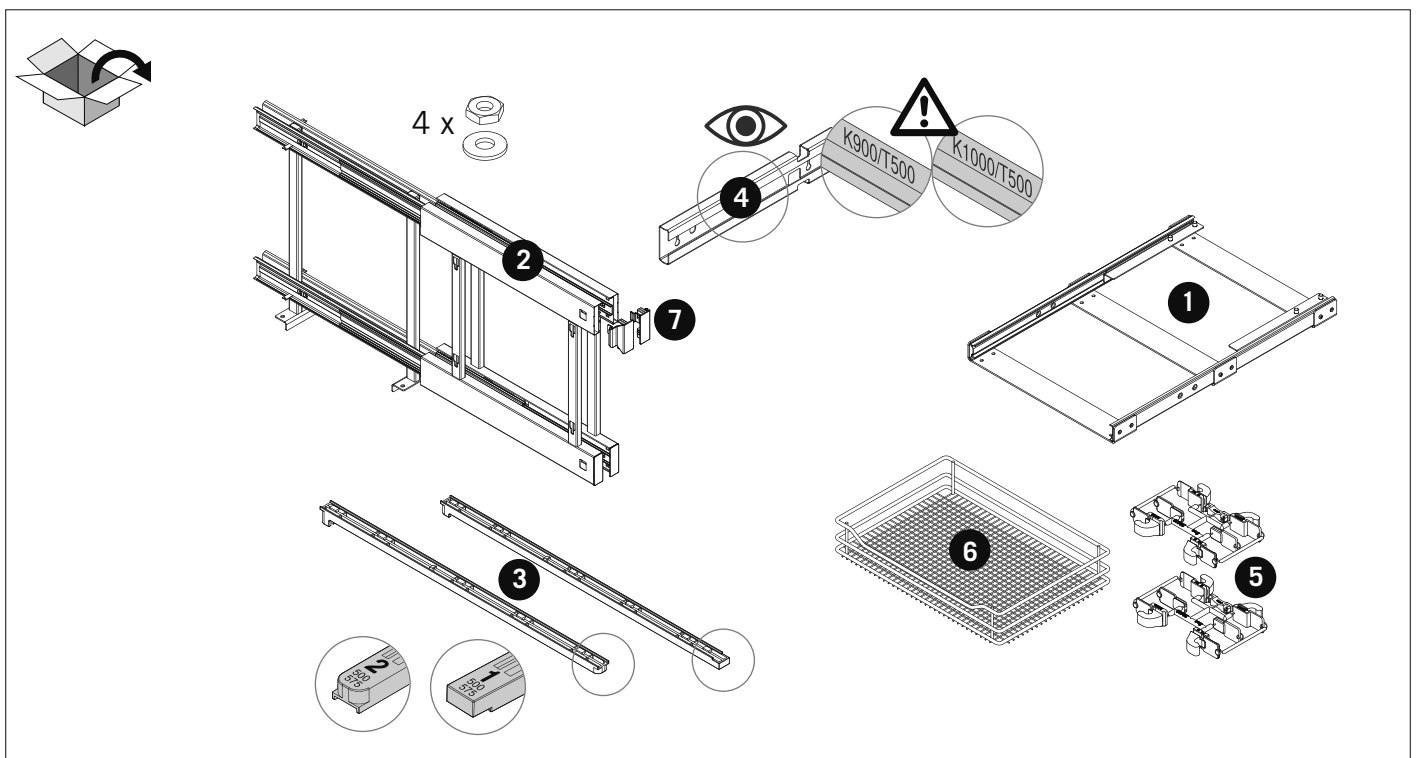
VAUTH  
SAGEL



# CABINET DIMENSIONS



<b>X</b>	<b>36" (K 900 mm)</b>	<b>39" (K 1000 mm)</b>
<b>O</b>	15" (381 mm)	17-1/2" (444 mm)



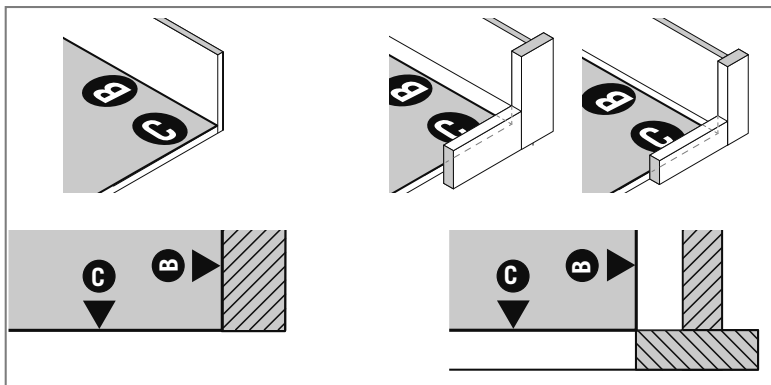
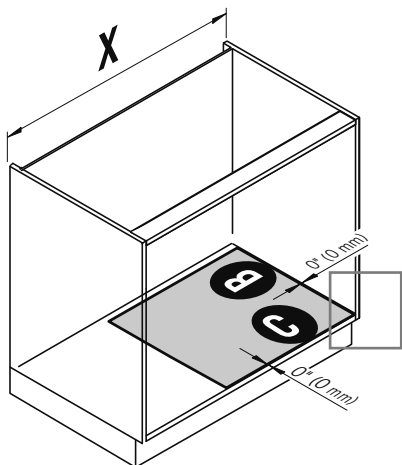


1

B

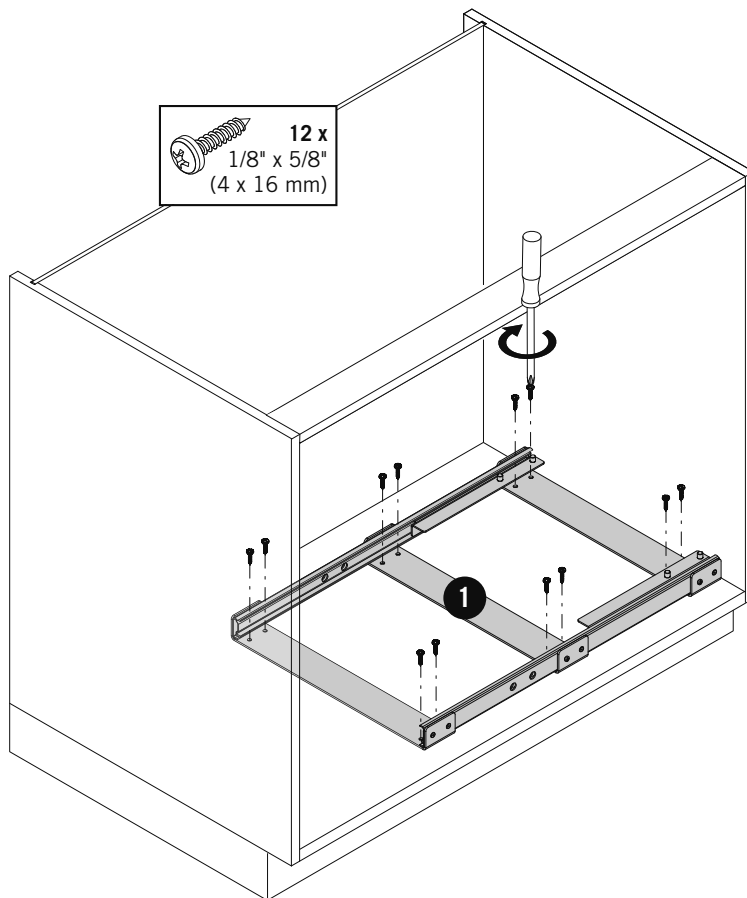


C

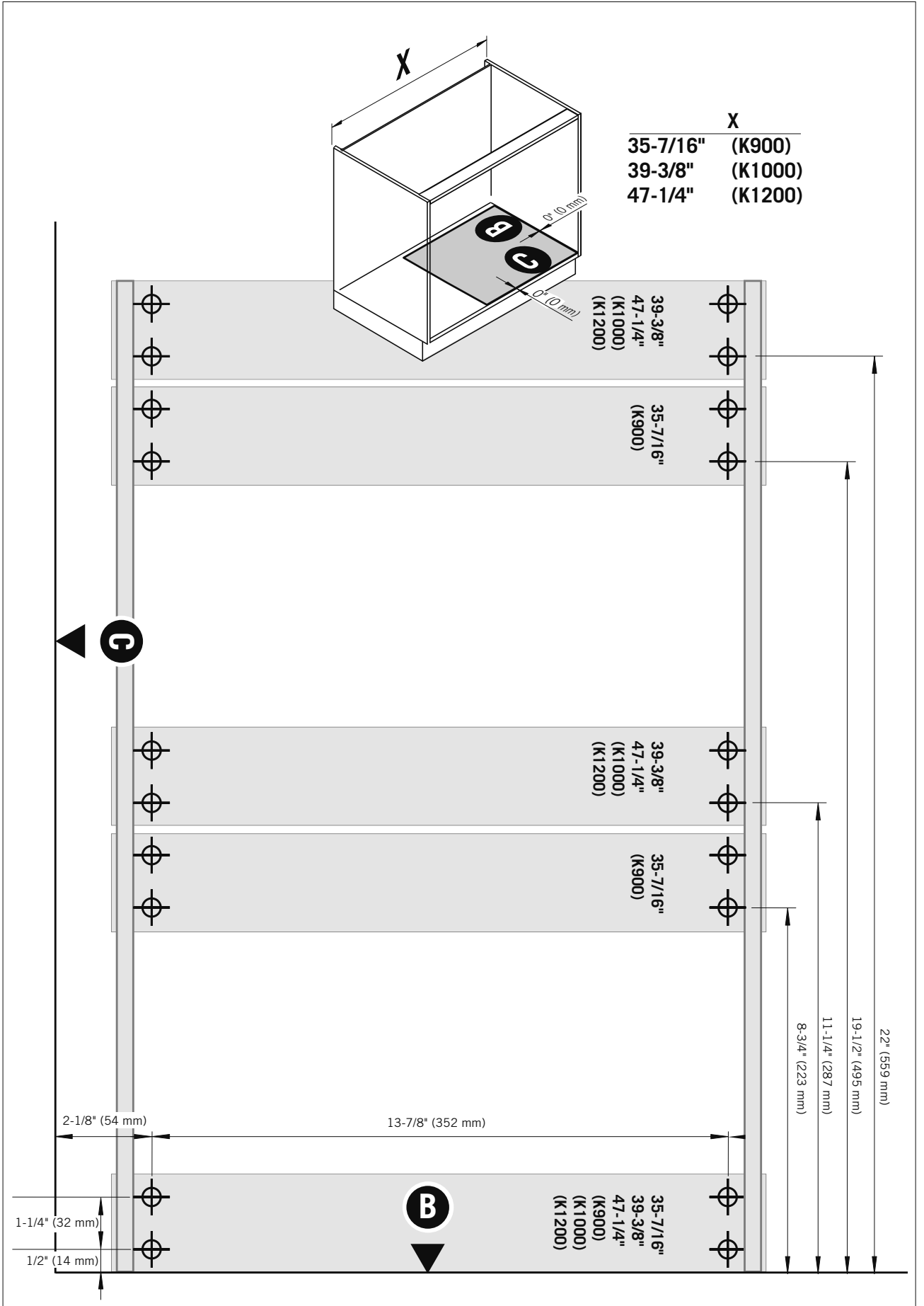
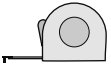


	X
35-7/16"	(K900)
39-3/8"	(K1000)
47-1/4"	(K1200)

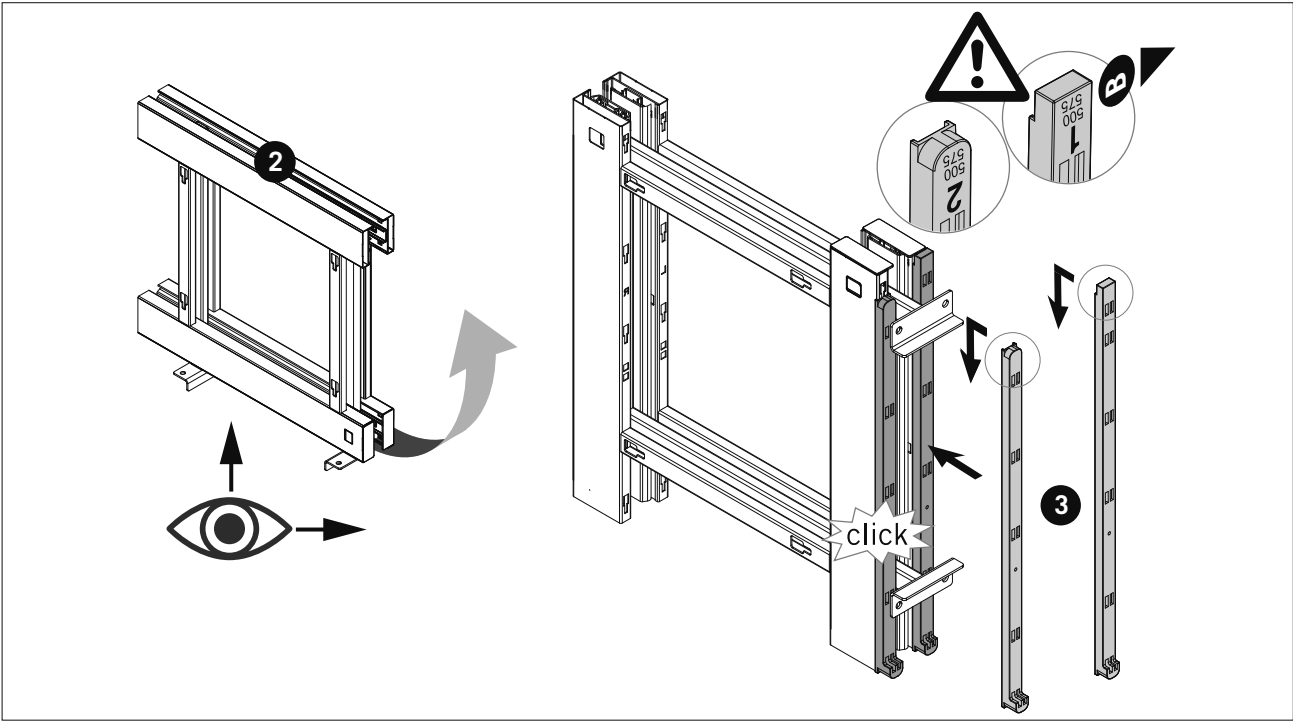
12 x  
1/8" x 5/8"  
(4 x 16 mm)



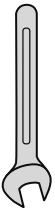
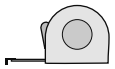
1



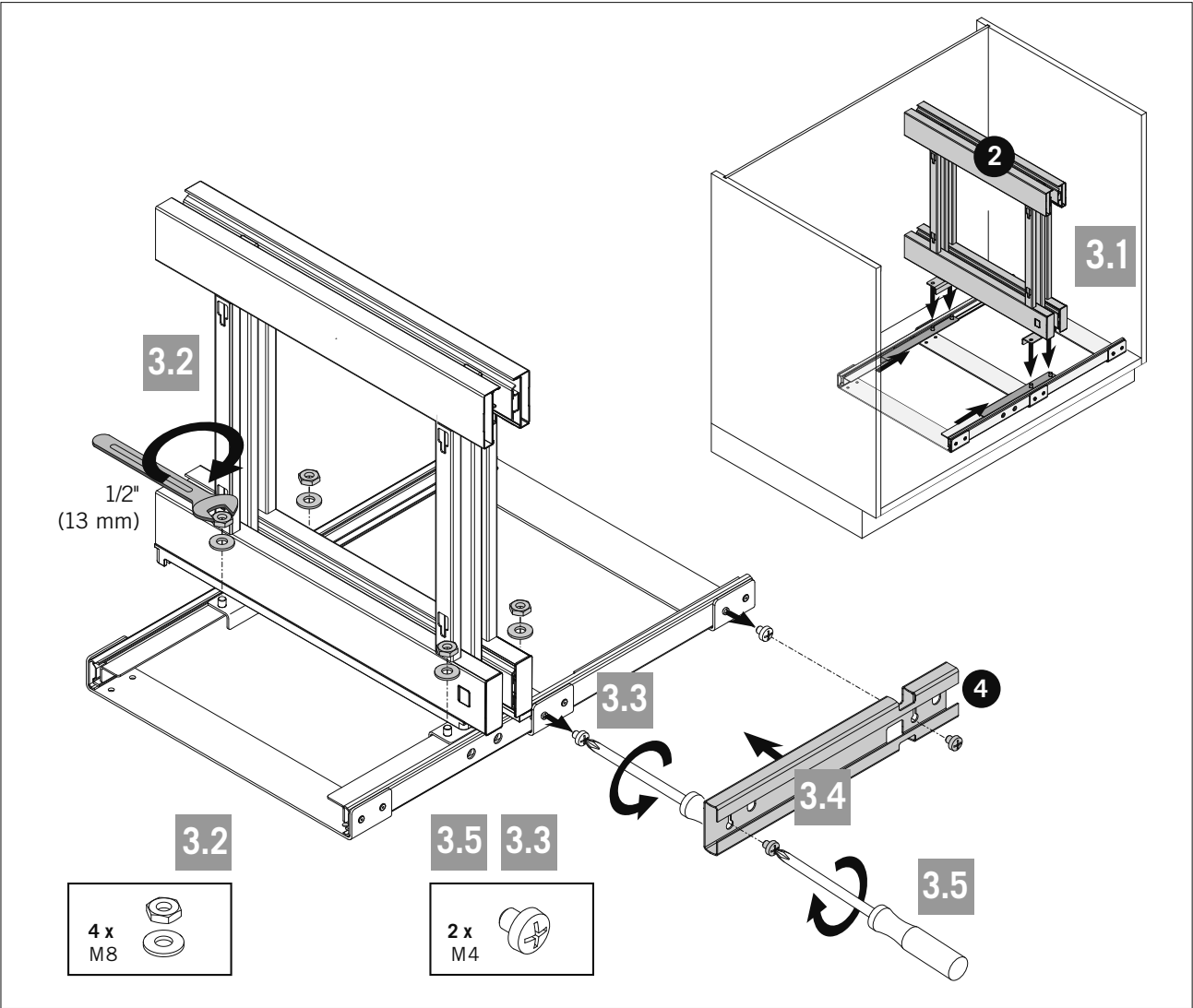
**2**



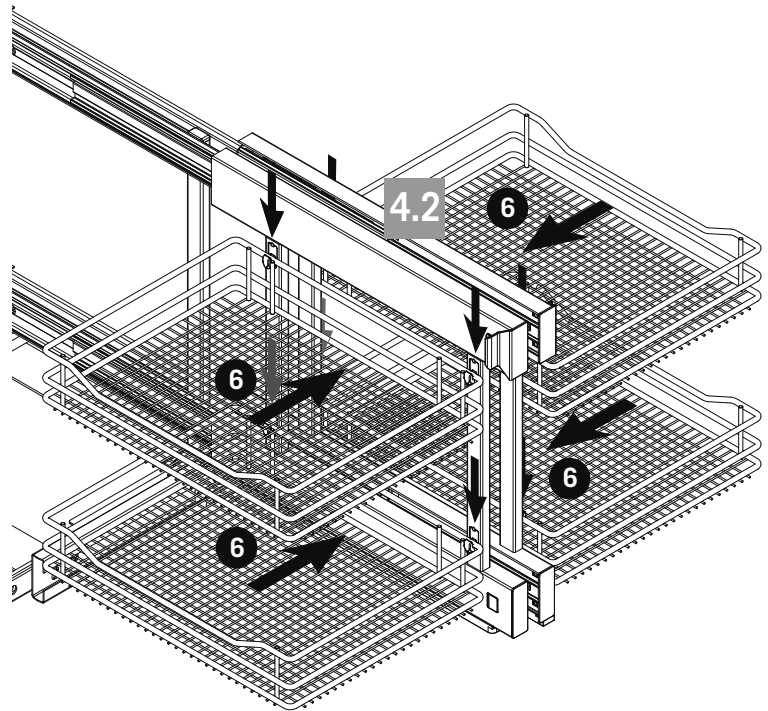
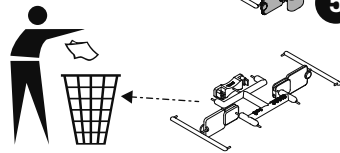
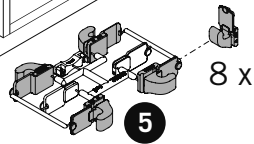
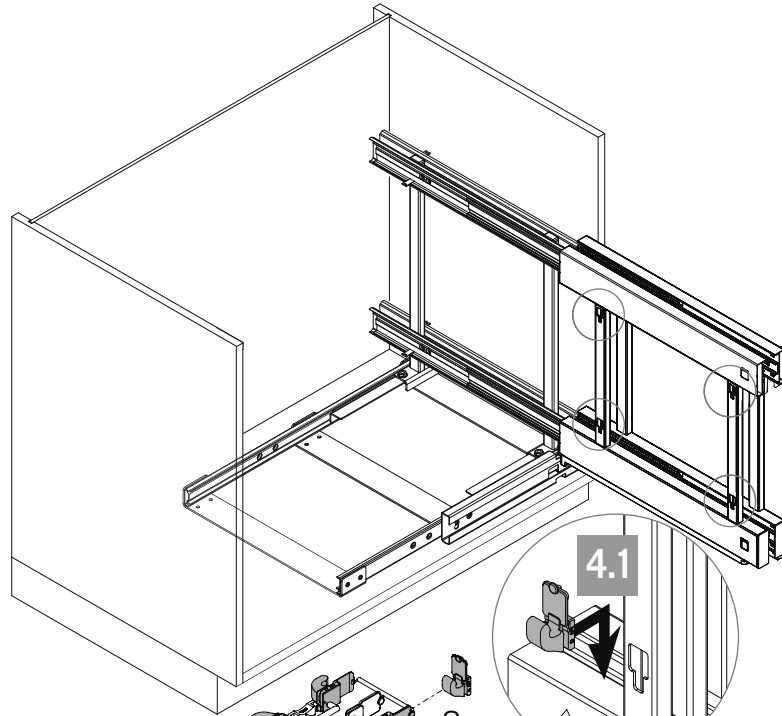
**3**



1/2"  
(13 mm)

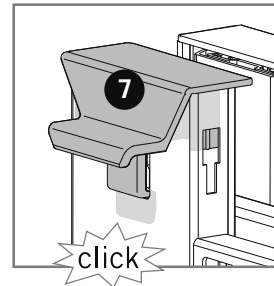
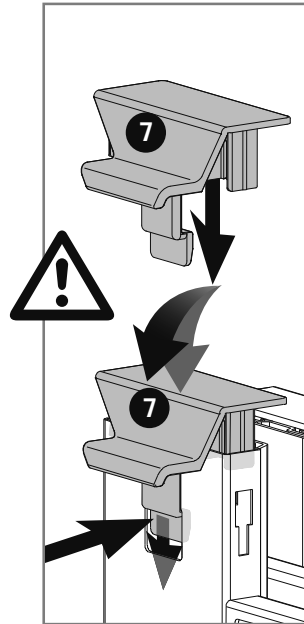
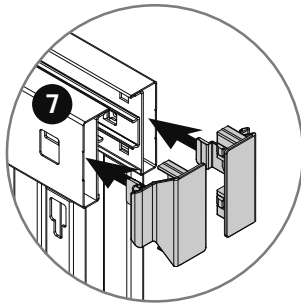
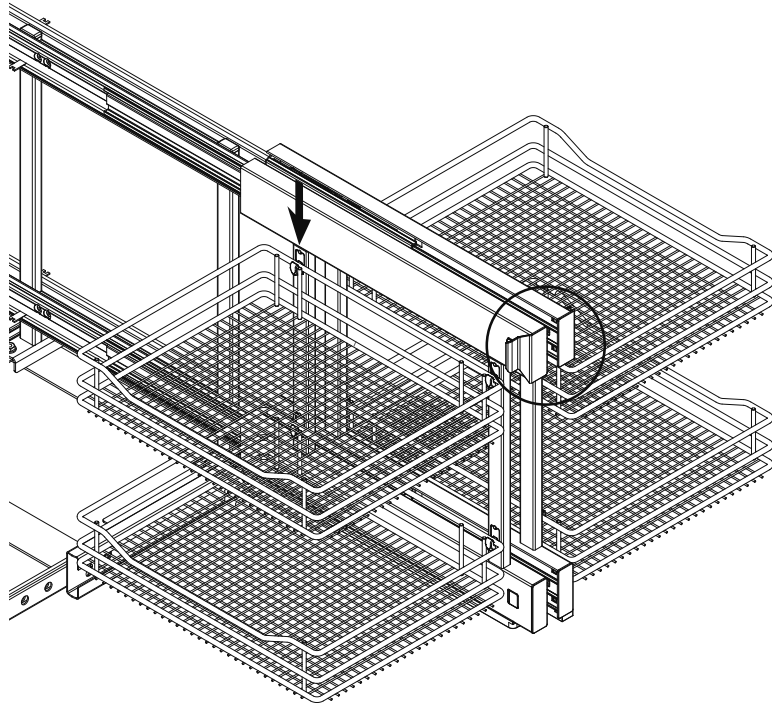


4





5



**Vauth-Sagel USA LP**

Address 1821 Baker Road  
High Point, NC 27263

Phone +1 336 861 0740  
Toll free +1 855 770 9121  
Fax +1 336 861 0741

Email [support@vauth-sagel-usa.com](mailto:support@vauth-sagel-usa.com)  
Web [www.vauth-sagel-usa.com](http://www.vauth-sagel-usa.com)