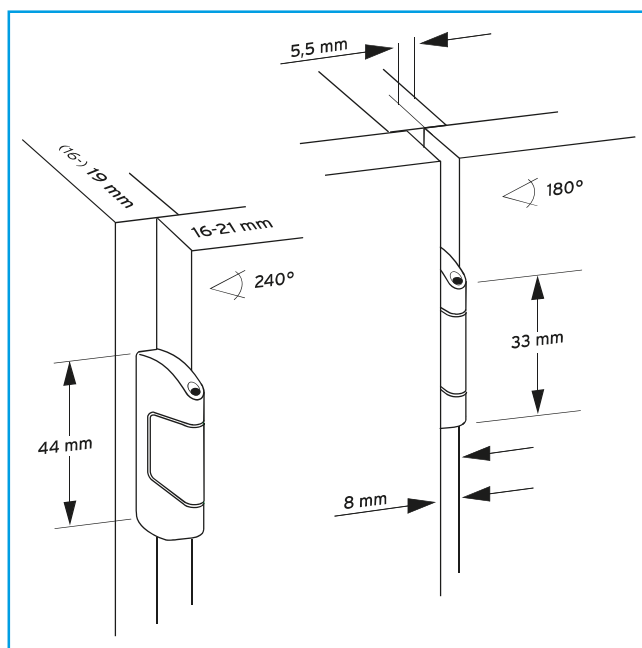
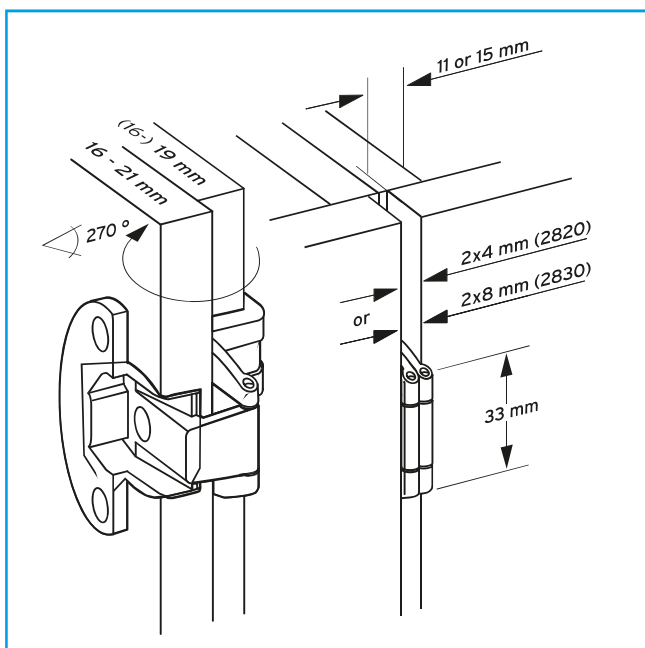
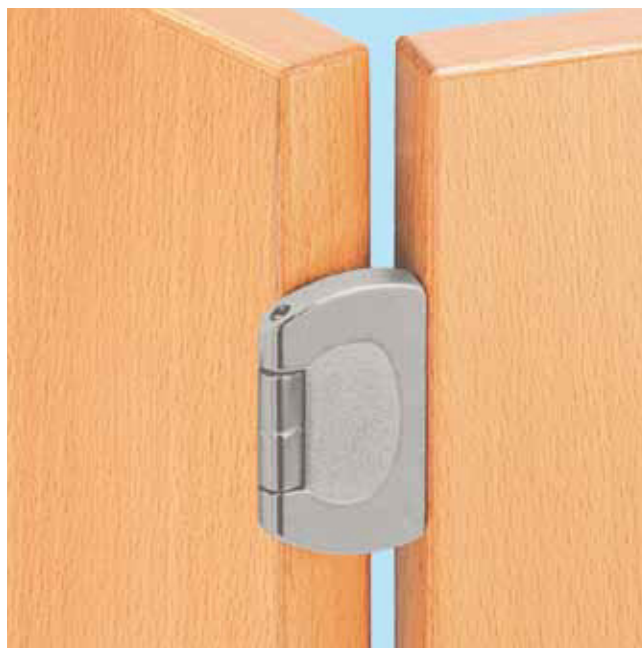
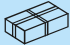


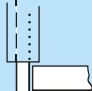
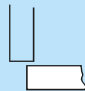

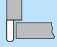




PRAMETA SERIES 2800

Overlay doors

- For gaps of 4 and 8 mm
- Full and half overlay
- Clip mounting or screw connecting
- Also with finger protection
- All variants certified in accordance with ANSI
- Opening between 180° and 270°



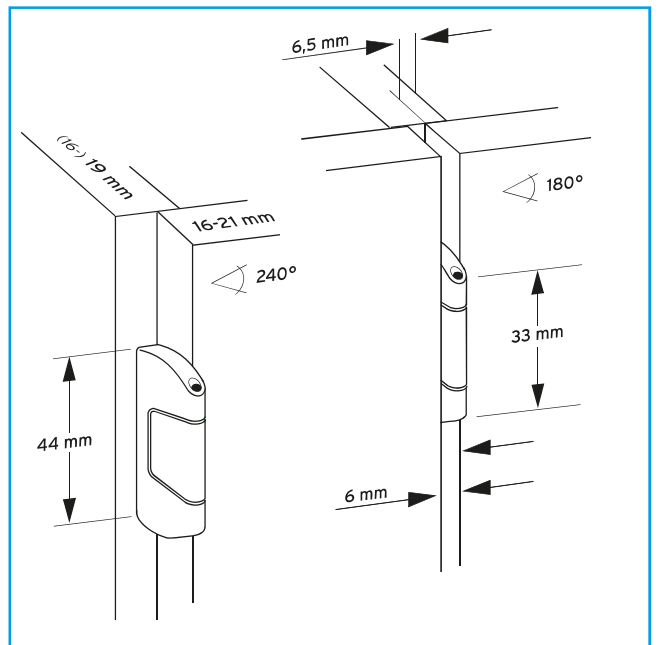
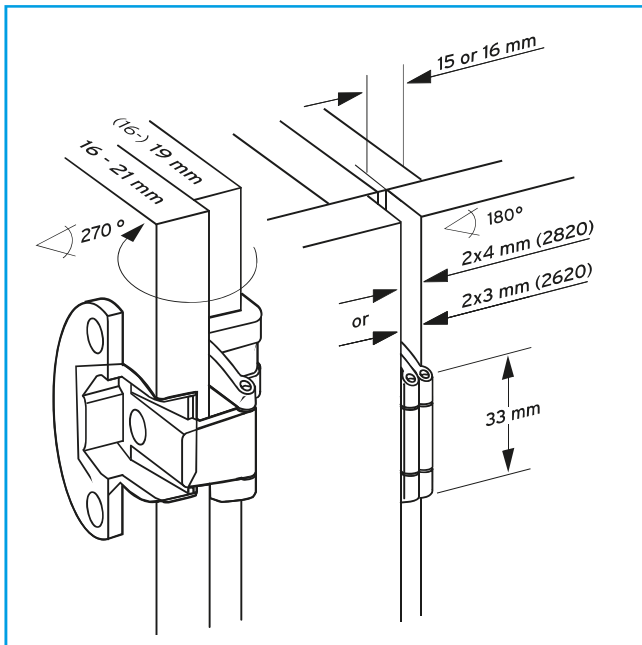
	C= clip mounting S = screw connecting Door parts to be ordered separately Page 12						STANDARD C/S	
2820	C S		50	270°	4	19 / 15	19 / 19-21	ANSI
2830	C S		50	270°	8	19 / 11	19 / 19-21	ANSI
2840	C S		50	240°	8	13 / 5,5	19 / 19-21	ANSI
2850	C S		50	180°	8	13 / 5,5	19 / 19-21	ANSI







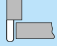


Pre-mounted dowel screws: order hinge arms C 61 N or S 61 N

PRAMETA SERIES 2600

Overlay doors

- For gaps of 3 and 6 mm
- Full and half overlay
- Clip mounting or screw connecting
- Opening between 180° and 270°

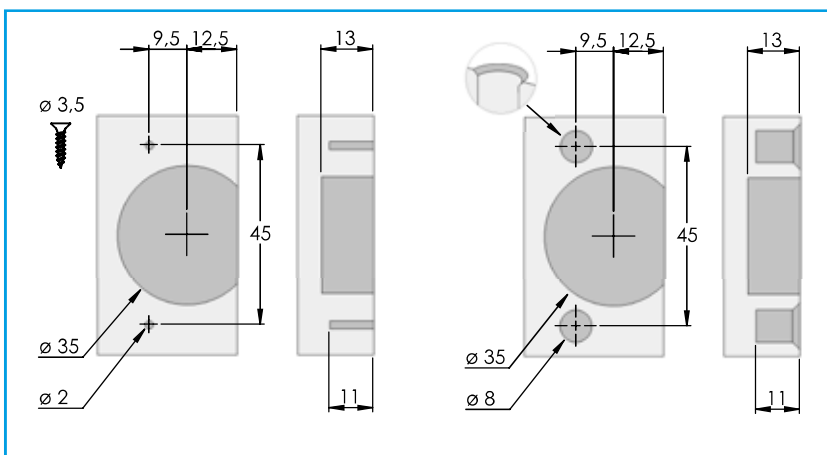
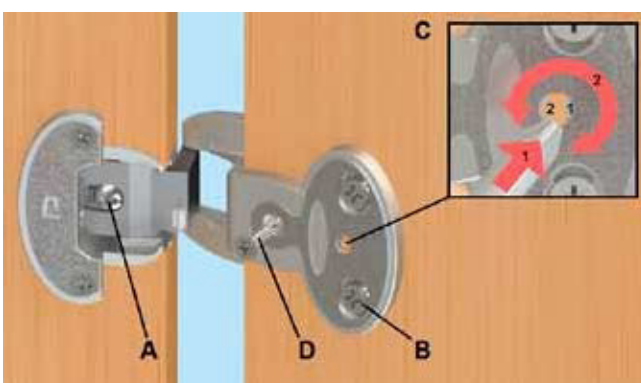
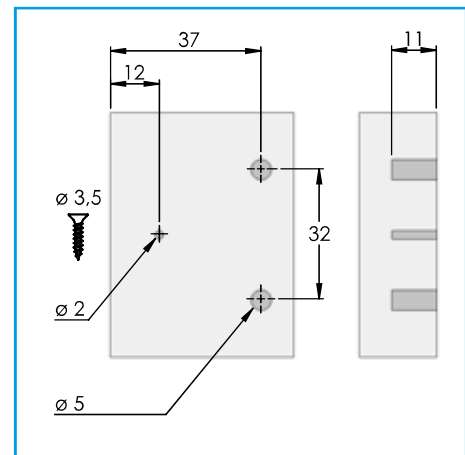


	C = clip mounting S = screw connecting Door part to be ordered separately Page 12						STANDARD C/S
2820 C S 51 N		50	270°	4	19 / 15	19 / 19-21	ANSI
2620 C S 51 N		50	270°	3	19 / 16	19 / 19-21	EN
2640 C S 51 N		50	240°	6	12 / 6,5	19 / 19-21	EN
2650 C S 51 N		50	180°	6	12 / 6,5	19 / 19-21	EN

Pre-mounted dowel screws: order hinge arms C 61 N or S 61 N


SERIES 2000
 Technical information

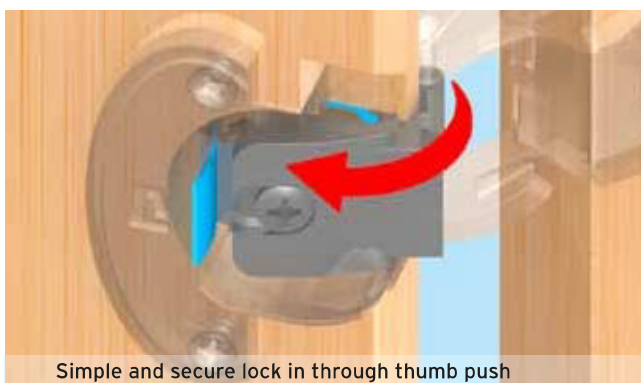
- Visible knuckle of 5 or 7 mm
- Vertical adjustment ± 2 mm, to be activated
- Door overlay adjustment -3 mm
- Separate mounting of door part and hinge arm
- Expansion dowels with pre-mounted screws on the hinge arm (optional)
- Door thicknesses 16 - 21 mm (depending on the edge radius)
- Flat hinge arm
- With catch
- One cup for all models
- Cup rim cover and edge protection
- Zinc die cast, nickel matt plated

Drilling pattern door

Drilling pattern carcass for overlay doors

Door overlay adjustment

- Loosen screw A, set the gap, re-tighten the screw.

Vertical adjustment

- Loosen screws B.
- Activate the adjustment by pressing with screwdriver onto the window C.
- Adjust continuously the door by turning the screwdriver (± 2 mm).
- Re-tighten the screws.
- Only then the chip wood panel screw D ($\varnothing 3,5$ mm) has **absolutely** to be screwed in.



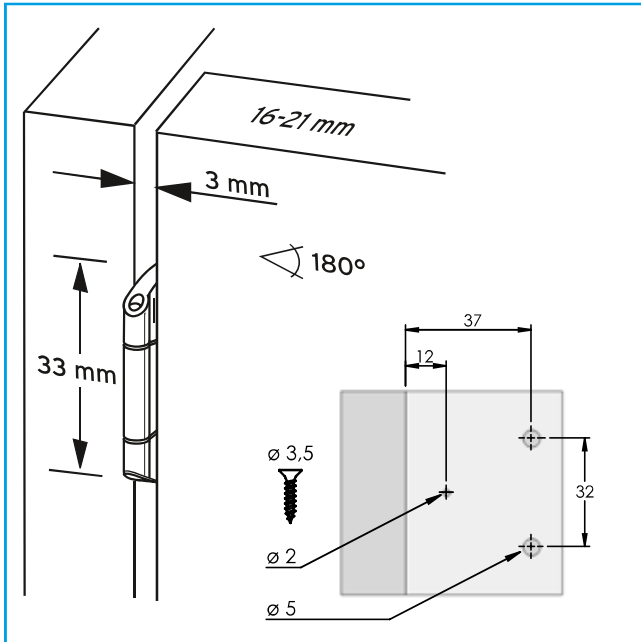
Simple and secure lock in through thumb push



For safety reasons dismantling only with screwdriver

SERIES 2600

Inset doors



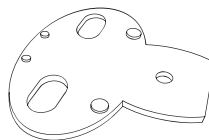
C = clip mounting
S = screw connecting
Door parts to be ordered separately

						STANDARD C / S G
3D adjustment	2660 C S 81 N		180°	3	≥16 / 16-21	ANSI
3D adjustment	2660G81 N		180°	3	≥16 / 5-8	EN

SERIES 2000

Door part
to be ordered separately

- To be fastened with screw or through insertion
- Cup Ø 35 mm
- Drilling pattern 45/9,5 mm, dowel 8 mm



Spacer

- For carcasses under 19 mm
- Can be stockpiled
- Made of transparent plastic

1,0 mm	2410	100
1,5 mm	2415	100

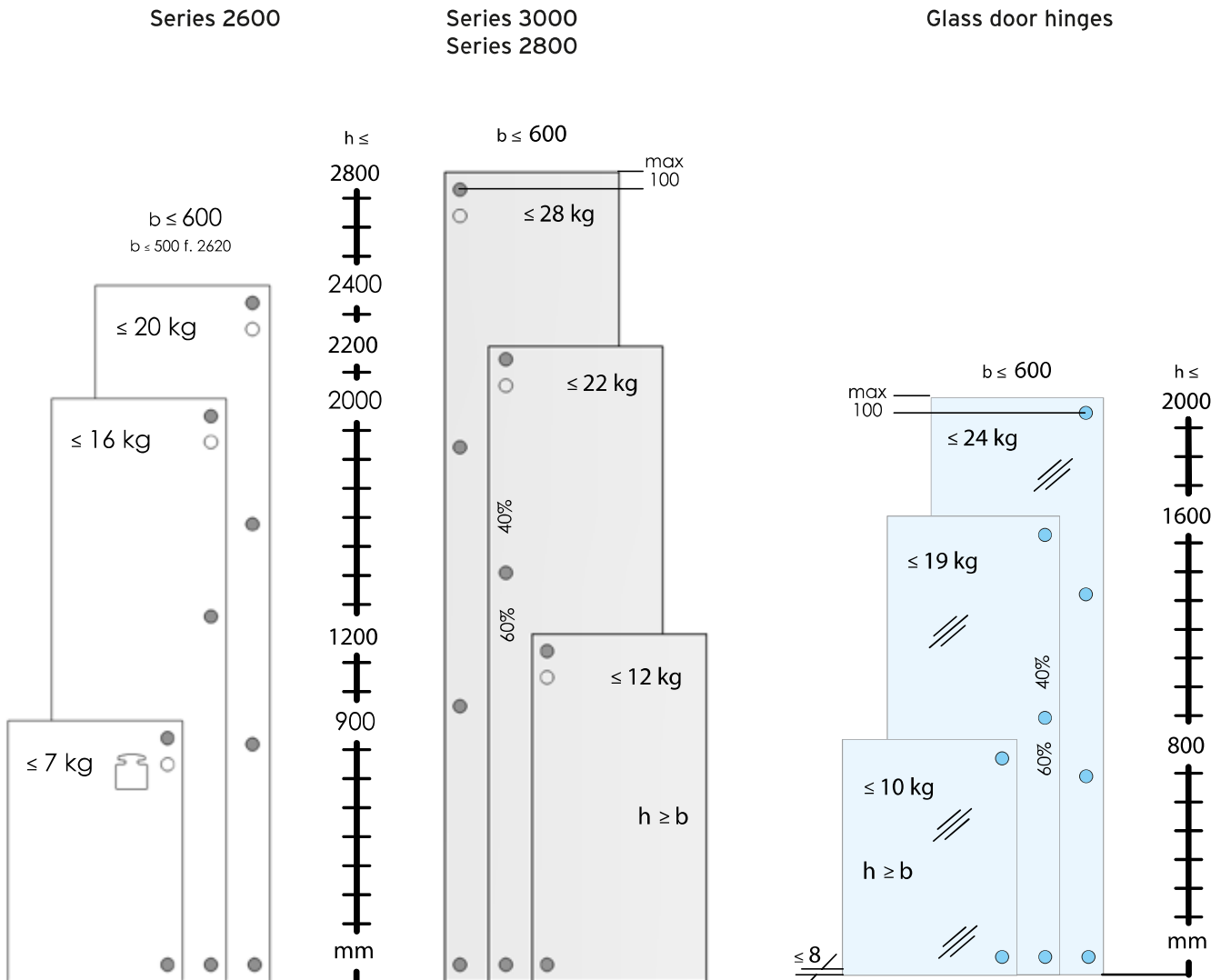
Special Euro screws for hinge arm fastening

10 mm	6,3 x 10 S 2000	100
13 mm	6,3 x 13 S 2000	100
16 mm	6,3 x 16 S 2000	100
18 mm	6,3 x 18 S 2000	100

C = clip mounting
S = screw connecting

2031 C S 10 N		50
2031 C S 20 N		50

Number of hinges per door



Single pivot hinges certified in accordance with ANSI Grade 1 and EN 15570 Level 3

		ANSI Grade 1 (Internationally the hardest standard for furniture hinges)	EN 15570 Level 3	EN 15570 Level 2
Durability test				
Door weight	kg	18	7	7
Number of cycles		100.000	80.000	40.000
Door sag	mm	0,76	3,0	3,0
Security test				
Additional weight	kg	72	30	20
Door sag	mm	0,76	No door drop	No door drop