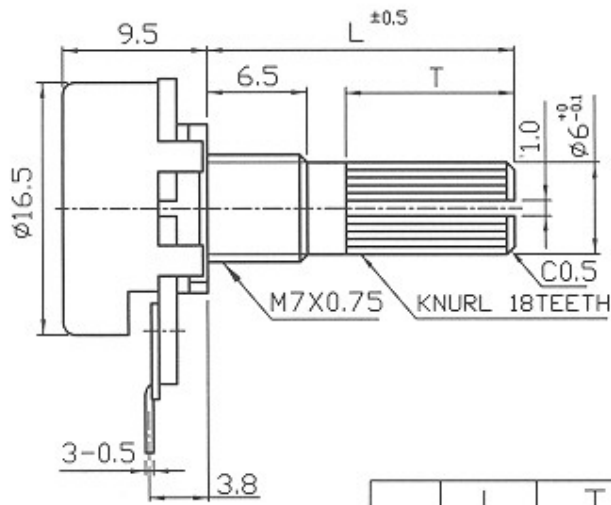
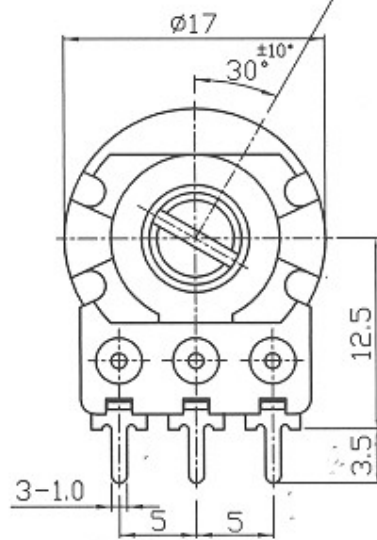


文管中心
2007.06.05
發行章

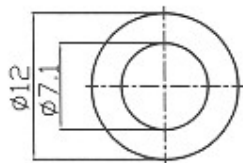
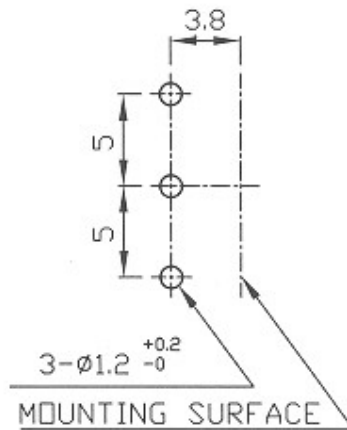
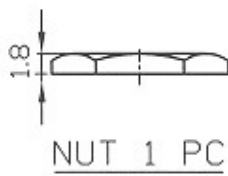
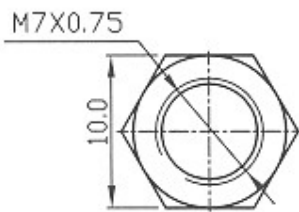


SHAFT SHAFT IN FULL C.C.W. POSITION



	L	T
	15	6.5
	17	8.5
	20	11.5

MOUNTING HOLE DETAIL
(VIEWPOINT OF SHAFT)



WASHER 1 PC t=0.6

2005.12.19		圖面重繪 王茂松		RV16AF-20-(L)K-XXX-3X1		
NO.	DATE	DESCRIPTION		MODEL NAME		
TOL. UNLESS OTHERWISE STATED		DIMENSION	SCALE	DRAWN BY	CHECKED BY	APPROVED BY
less than 10 ±0.3		mm	2 1	張月琴		
above 10 ~ 30 ±0.5						
above 30 ~ 100 ±1.0						
above ±5°						
DRAWING NO.						