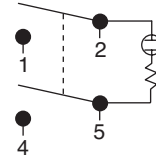
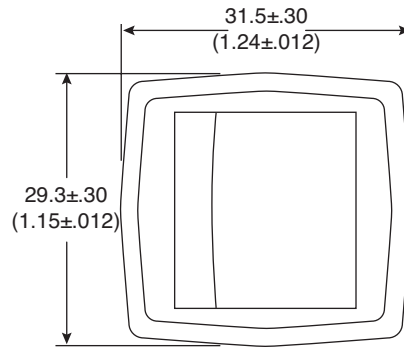
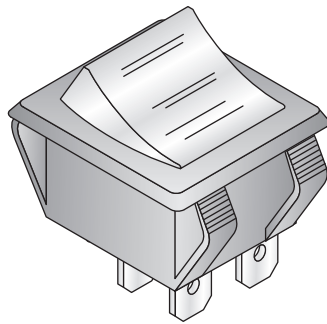
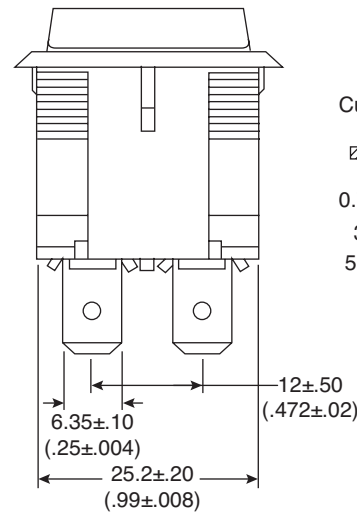
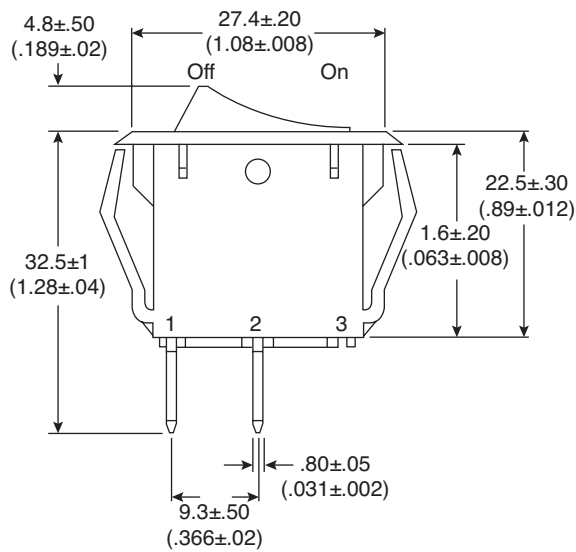


**DIMENSIONS: mm (in.)**



Circuit Diagram  
125VAC:33K Ω



Cut-out	X	Y
0.75 ~3	27.6-0.1	25.4+0.1
3 ~5	28.0-0.1	25.4+0.1
5 ~6.3	28.6-0.1	25.4+0.1

Mounting Hole

Stock No.	Button
103-R13-240B-01R-EV	Red Illuminated / Neon
103-R13-240B-01G-EV	Green Illuminated / Neon

**Electrical Specifications:**

- Rating: 16A/125VAC
- Contact Resistance: 50mΩ max.
- Insulation Resistance: 500VDC 100MΩ min.
- Dielectric Strength: 1500VAC for 1 minute

**Note:**

- RoHS Compliant

**Illuminated Rocker Switches**

103-R13-240B-01R-EV, 103-R13-240B-01G-EV

