

## Jensen Jet Falcon JC10-40FA

### 10"- 80W Ceramic Guitar Loudspeaker

C 10/40 FA - 8 Ω  
Code ZJ05451

#### GENERAL CHARACTERISTICS

Nominal Overall Diameter .....	259	mm
Nominal Voice Coil Diameter .....	32	mm
Magnet Weight .....	426	g
Flux Density.....	1.10	T
Weight.....	1.66	Kg

#### THIELE-SMALL PARAMETERS

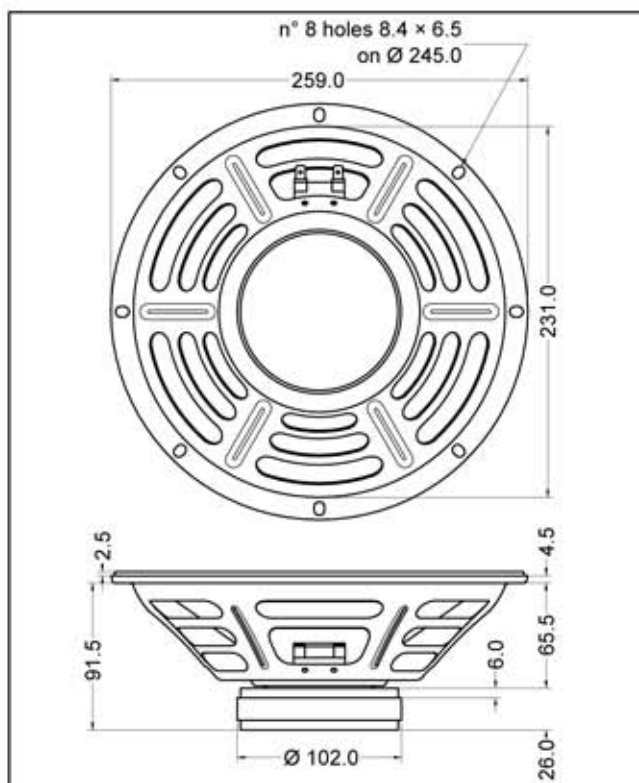
Voice Coil DC Resistance .....	$R_E$	6.16	Ω
Resonance Frequency .....	$f_s$	114.4	Hz
Mechanical Q Factor.....	$Q_{MS}$	15.37	
Electrical Q Factor.....	$Q_{ES}$	1.60	
Total Q Factor.....	$Q_{TS}$	1.15	
Mechanical Moving Mass .....	$M_{MS}$	18.2	g
Mechanical Compliance .....	$C_{MS}$	106	μm/N
Force Factor .....	$B \times l$	7.09	Wb/m
Equivalent Acoustic Volume.....	$V_{AS}$	16.4	lt.
Maximum Linear Displacement ....	$X_{MAX}$	+/-1.5	mm
Reference Efficiency .....	$\eta_D$	1.48	%
Diaphragm Area .....	$S_D$	330.1	cm <sup>2</sup>
Losses Electrical Resistance.....	$R_{ES}$	59.1	Ω
Voice Coil Inductance @ 1kHz .....	$L_E$	0.69	mH

#### CONSTRUCTIVE CHARACTERISTICS

Magnet.....	Ferrite
Voice Coil Winding.....	Copper
Voice Coil Former.....	Epotex
Cone .....	Paper
Surround.....	Paper - Integrated
Dust Dome .....	Non Treated Cloth
Basket .....	Pressed Sheet Steel

#### ELECTRICAL CHARACTERISTICS

Nominal Impedance.....	8	Ω
Musical Power .....	80	W
Rated Power* .....	40	W
Sensitivity @ 1 W, 1 m .....	95.0	dB



\*rated power measured with 2 hours test with pink noise signal, 6 dB crest factor, loudspeaker mounted on enclosure  
Thiele-Small parameters measured with 1 ASFR system

Frequency Response on IEC Baffle (DIN 45575) @ 1 W, 1 m - Impedance

