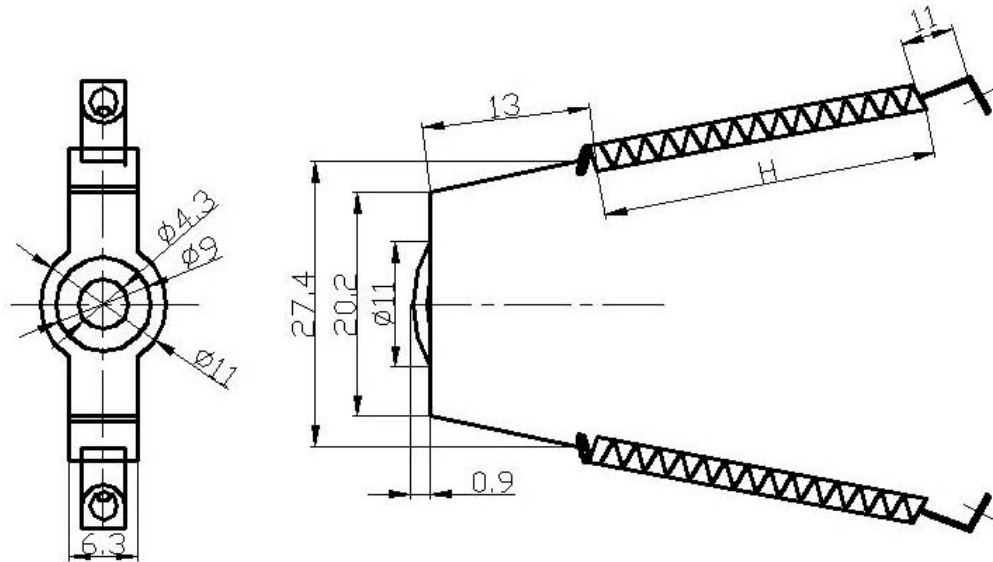




TAD Tube Retainer

Spring Tube Retainer for 9-pin tubes

Designed for EL84 / 6BQ5
 but also fits 7189, 12BH7, ECL-86, ECL- 82 etc.



Usage Description

Part number	Length	Tube example
TR-84	40 mm	EL84-STR

Main Characteristics

Material		Weight
Cold rolling thin board	Spring steel	4,8 g

RoHS Compliant

