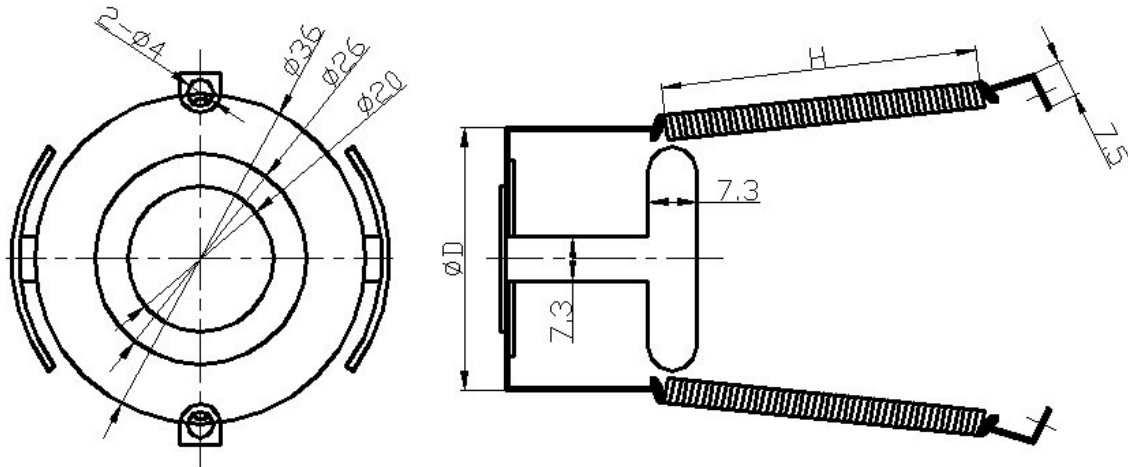


TAD Tube Retainer



Spring Tube Retainer for 8-pin tubes

With silicon damper for better protection from vibration. Such kind of spring retainer are used and recommended by many amp manufactures including Marshall®



Usage Description

Part number	Diameter (D)	Length (H)	Tube example
TR	37 mm	62 mm	EL34B-STR
TR-L	46 mm	62 mm	KT88-STR
TR-M	41 mm	52 mm	6L6WGC-STR

Main Characteristics

Material		Weight
Cold rolling thin board	Spring steel	14 g

RoHS Compliant

