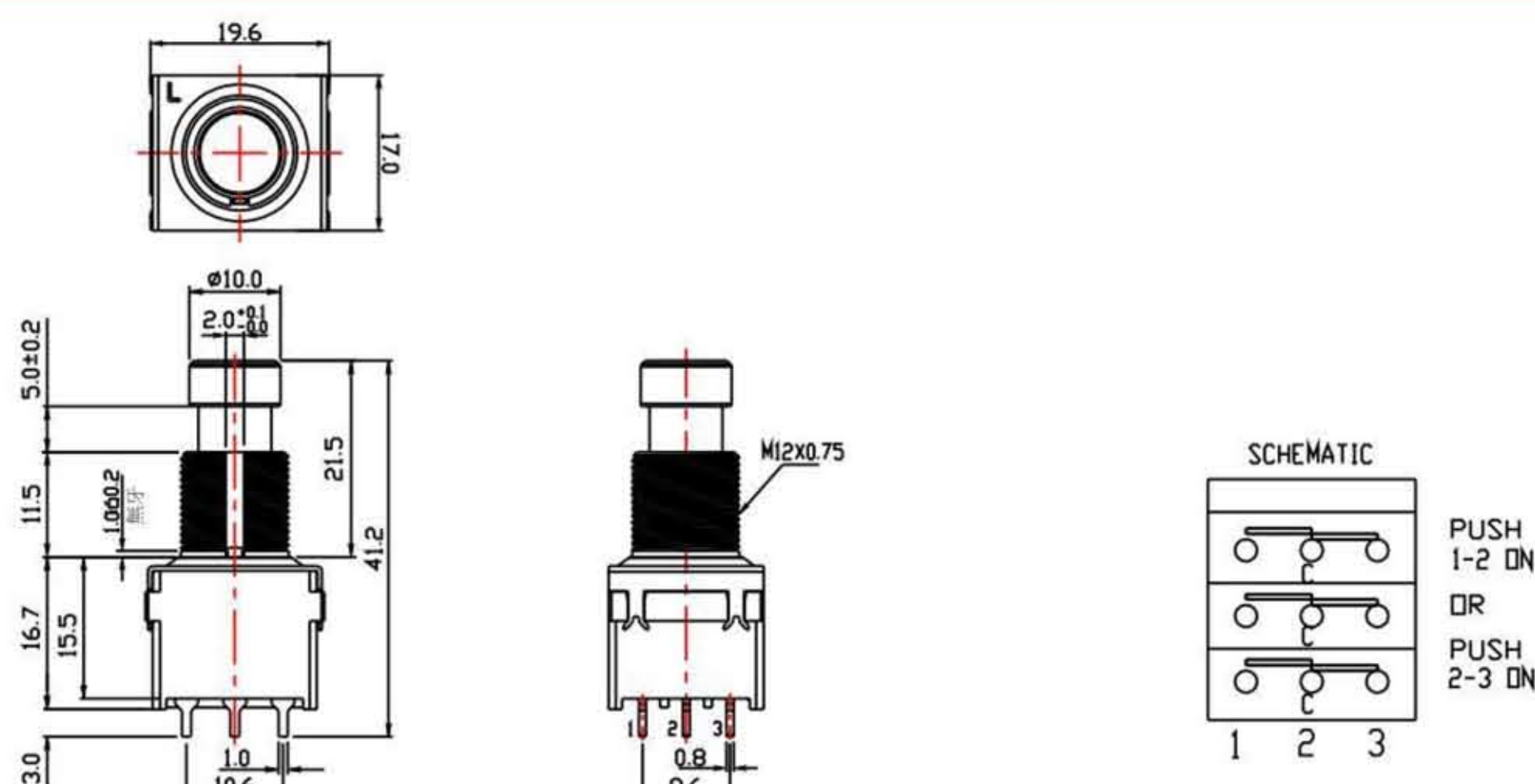


FOOT SWITCH

SPECIFICATION

Rating:	DC9V; 1A
Contact Resistance:	Initial: <math><30\text{ m}\Omega</math>, after test: <math><100\text{ m}\Omega</math>
Insulation Resistance:	Initial: >100 m Ω , after humidity test: >50 m Ω
Withstand Voltage:	500V AC (50-60 Hz, 2 mA)-1minute
Operating Force:	Initial: 3.0 ± 0.8 kgf, after durability test: 3.0 ± 1.0 kgf
Life Cycle:	30,000 cycles
Size(mm):	As following drawings

SF17010F-0302-21R-L



SF17020F-0302-21R-L

