

A-TP2VFMW

2MP Starlight HDCVI IR Bullet Camera

HDCVI



- Starlight
- Max. 30fps@1080P
- HD and SD output switchable
- 2.7-12mm motorized lens
- Max. IR length 60m, Smart IR
- IP67, DC12V



System Overview

Experience 1080P full HD video and the simplicity of using existing cabling infrastructure with HDCVI. The 1080P starlight HDCVI camera presents a high quality image with rich details even under extreme low-light conditions. Also, the Lite series features compact design and friendly price. It offers various motorized vari-focal/fixed lens models with a multi-language OSD and HD/SD switchable output. Its structural flexibility and high cost-performance makes the camera an ideal choice for SMB solutions.

Functions

4 Signals over 1 Coaxial Cable

HDCVI technology supports 4 signals to be transmitted over 1 coaxial cable simultaneously, i.e. video, audio*, data and power. Dual-way data transmission allows the HDCVI camera to interact with the XVR, such as sending control signal or triggering alarm. Moreover, HDCVI technology supports PoC for construction flexibility.

* Audio input is available for some models of HDCVI cameras.

Long Distance Transmission

HDCVI technology guarantees real-time transmission at long distance without any loss. It supports up to 800m(1080P)/1200m(720P) transmission via coaxial cable, and up to 300m(1080P)/450m(720P) via UTP cable.*

*Actual results verified by real-scene testing in Dahua's test laboratory.

Simplicity

HDCVI technology inherits the born feature of simplicity from traditional analog surveillance system, making itself a best choice for investment protection. HDCVI system can seamlessly upgrade the traditional analog system without replacing existing coaxial cabling. The plug and play approach enables full HD video surveillance without the hassle of configuring a network.

Starlight

With the adoption of high performance sensor, the camera is able to provide incomparable performance even under extreme lowlight environment. The starlight feature allows more details to be captured and accurate color to be recognized at night or in scenes with limited illumination.

Smart IR

The camera is designed with IR LED illumination for best lowlight performance. Smart IR is a technology to ensure brightness uniformity in B/W image under low illumination. Dahua's unique Smart IR adjusts to the intensity of camera's infrared LEDs to compensate for the distance of an object, and prevents IR LEDs from overexposing images as the object come closer to the camera.

Multi-formats

The camera supports multiple video formats including HDCVI, CVBS and other two common HD analog formats in the market. The four formats can be switched over through OSD menu or by PFM820(UTC controller). This feature makes the camera to be compatible with most end users' existing HD/SD DVRs.

Multi-language OSD

OSD menu provides multiple image adjustments and function settings to meet the requirements of different monitoring scenes. The OSD menu includes configurations such as backlight mode, day/night, white balance, privacy mask and motion detect. The camera supports 11 languages for OSD menu, namely, Chinese, English, French, German, Spanish, Portuguese, Italian, Japanese, Korean, Russian and Polish.

Protection

The camera's outstanding reliability is unsurpassed due to its rugged design. The camera is protected against water and dust with IP67 ranking, making it suitable for indoor or outdoor environments.

With working temperature range of -30 °C to +60 °C (-22 °F to +140 °F), the camera is designed for extreme temperature environments.

Supporting ±30% input voltage tolerance, this camera suits even the most unstable power supply conditions. Its 4KV lightning rating provides protection against the camera and its structure from the effects of lightning.

Technical Specification

Camera

| | |
|--------------------------|---|
| Image Sensor | 1/2.8" CMOS |
| Effective Pixels | 1920(H)×1080(V), 2MP |
| Scanning System | Progressive |
| Electronic Shutter Speed | PAL: 1/25~1/100000s NTSC: 1/30~1/100000s |
| Minimum Illumination | 0.005Lux/F1.8, 30IRE, 0Lux IR on |
| S/N Ratio | More than 65dB |
| IR Distance | Up to 60m (197feet) |
| IR On/Off Control | Auto / Manual |
| IR LEDs | 4 |

Lens

| | |
|----------------------|-----------------------------|
| Lens Type | Motorized lens / Fixed iris |
| Mount Type | Board-in |
| Focal Length | 2.7-12mm |
| Max Aperture | F1.8 |
| Angle of View | H: 101.7°~32.3° |
| Focus Control | Motorized |
| Auto Focus | N/A |
| Close Focus Distance | 200mm 7.87" |

DORI Distance

Note: The DORI distance is a "general proximity" of distance which makes it easy to pinpoint the right camera for your needs. The DORI distance is calculated based on sensor specification and lab test result according to EN 62676-4 which defines the criteria for Detect, Observe, Recognize and Identify respectively.

| | DORI Definition | Distance | |
|-----------|----------------------|------------|-------------|
| | | Wide | Tele |
| Detect | 25px/m (8px/ft) | 47m(153ft) | 137m(448ft) |
| Observe | 63px/m (19px/ft) | 19m(61ft) | 55m(179ft) |
| Recognize | 125px/m (38px/ft) | 9m(31ft) | 27m(90ft) |
| Identify | 250px/m (76px/ft) | 5m(15ft) | 14m(45ft) |

Pan / Tilt / Rotation

| | |
|-------------------|---|
| Pan/Tilt/Rotation | Pan: 0° ~ 360° Tilt: 0° ~ 87° Rotation: 0° ~ 360° |
|-------------------|---|

Video

| | |
|--------------|---|
| Resolution | 1080P (1920×1080) |
| Frame Rate | 25/30fps@1080P, 25/30/50/60fps@720P |
| Video Output | 1-channel BNC high definition video output / CVBS video output (Can switch) |

| | |
|-----------------|---------------------|
| Day/Night | Auto (ICR) / Manual |
| OSD Menu | Multi-language |
| BLC Mode | BLC / HLC / DWDR |
| WDR | DWDR |
| Gain Control | AGC |
| Noise Reduction | 2D |
| White Balance | Auto / Manual |
| Smart IR | Auto / Manual |

Certifications

| | |
|----------------|---|
| Certifications | CE (EN55032, EN55024, EN50130-4) FCC (CFR 47 FCC Part 15 subpartB, ANSI C63.4-2014) UL (UL60950-1+CAN/CSA C22.2 No.60950-1) |
|----------------|---|

Interface

| | |
|-----------------|-----|
| Audio Interface | N/A |
|-----------------|-----|

Electrical

| | |
|-------------------|---------------------------|
| Power Supply | 12V DC ±30% |
| Power Consumption | Max 12.1W (12V DC, IR on) |

Environmental

| | |
|--|--|
| Operating Conditions | -30°C ~ +60°C (-22°F ~ +140°F) / Less than 90% RH * Start up should be done at above-30°C (-22°F) |
| Storage Conditions | -30°C ~ +60°C (-22°F ~ +140°F) / Less than 90% RH |
| Ingress Protection & Vandal Resistance | IP67 |

Construction

| | |
|--------------|---|
| Casing | Aluminium |
| Dimensions | 209.9mm×90.4mm×90.4mm (8.26"×3.56"×3.56") |
| Net Weight | 0.55kg (1.21lb) |
| Gross Weight | 0.70kg (1.54lb) |

| Ordering Information | | |
|----------------------|-------------------------|--|
| Type | Part Number | Description |
| 2MP Camera | DH-HAC-HFW1230RP-Z-IRE6 | 2MP Starlight HDCVI IR Bullet Camera, PAL |
| | DH-HAC-HFW1230RN-Z-IRE6 | 2MP Starlight HDCVI IR Bullet Camera, NTSC |
| Accessories | PFA130-E | Junction box (For use alone or with PFA152-E pole mount) |
| | PFA152-E | Pole mount (For use with PFA130-E junction box) |
| | PFM820 | UTC Controller |
| | PFM800-E | Passive HDCVI Balun |
| | PFM800-4K | Passive Video Balun |
| | PFM800B-4K | Passive Video Balun |
| | PFM320D-015 | 12V 1.5A Power Adapter |
| PFM300 | 12V 2A Power Adapter | |

Accessories

Optional:



PFA130-E
Junction box



PFA152-E
Pole mount



PFM820
UTC Controller



PFM800-E
Passive HDCVI Balun



PFM800-4K
Passive Video Balun



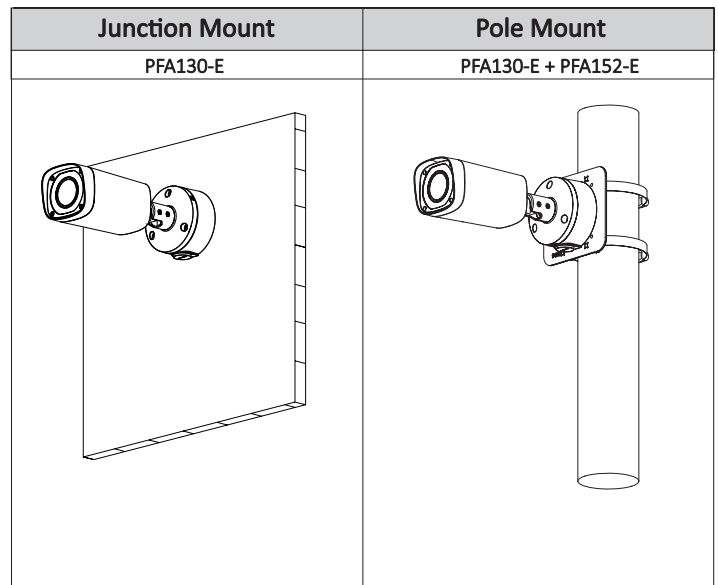
PFM800B-4K
Passive Video Balun



PFM320D-015
Power Adapter



PFM300
Power Adapter



Dimensions (mm/inch)

