

IC0020



CONVENTIONAL RESETTABLE MANUAL CALLPOINT



Conventional manual callpoint with resettable element for indoor use. Provided with wall mounting backbox. Suitable for flush mounting. Alarm signal is triggered by the pressing of the black sign in the front of the callpoint. The LED will light up when the device is activated. The callpoint comes with a key which can be used to open the housing and reset the device. Fixed manual callpoint systems are used to integrate the automatic signalling capacities of fire detection systems, as described in the regulations in force.

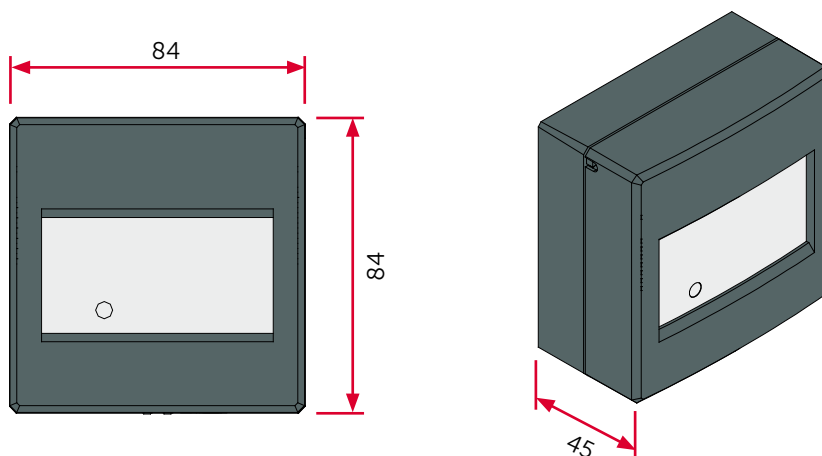
Each zone must include a certain number of manual callpoints. At least one of these callpoints must be located in a place which can be easily reached from all parts of the zone, at a distance of not more than 30m in low to average risk environments and 15m in average to high risk environments.

Alarm signalling is activated by pressing the transparent plastic frontplate (no broken glass) and reset by means of the plastic key.

TECHNICAL SPECIFICATIONS

- Certification: LPCB CPR EN54pt11
- Serial self-addressing (each device is identified by a factory-assigned serial number)
- Cables: 2x2mm
- Connectors for the selection of the alarm resistance
- LED: multicolor for device status signalling
- Operating voltage: from 19 to 30V $\overline{=}$
- Alarm resistance: 260 – 600 Ohm
- Alarm signals by colored LED and colored flag
- Operating temperature: from -5°C to +40°C
- Dimensions (HxWxD) 84X84X45 mm
- Weight: 126 g

DIMENSIONS



IN THE PACKAGE

- Package dimensions: 110 x 97 x 57 mm
- Weight with packaging: 170g

ORDER CODES

IC0020: conventional manual callpoint with resettable element.

WCP0020: transparent plastic screen against accidental activation for EC0020/IC0020 callpoint

FCP0020: plastic bracket for flush mounting for EC0020/IC0020 callpoint

DBCP0020: deep box for external pipe fitting for EC0020/IC0020 callpoint

KCP0020: key for resettable element for EC0020/IC0020 callpoint