

IS2000



CE EN 54-3
EN 54-23



0051
0051-CPR-1318
0051-CPR-1319

VISUAL/AUDIBLE ALARM INDICATORS, WALL MOUNT



IS20x0RE

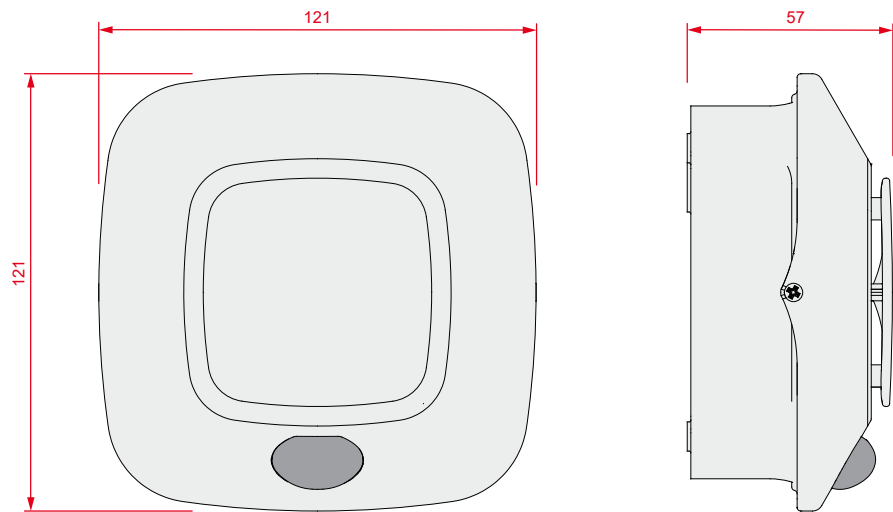
IS20x0WE

Visual/audible-alarm indicators with voice functions, operate at 18 to 30 Vdc, IP65 protection rated.

The use of the EITK2000 manual programmer allows selection of the alarm tone from the 14 tones available, the adjustment of the volume and the flasher intensity (only for models with visual alarm indicators).

For models with the voice alarm function, besides the 14 tones, it is also possible to choose from the 16 voice messages available in 8 different languages. The EITK2000 also provides the customization of tones and voice messages.

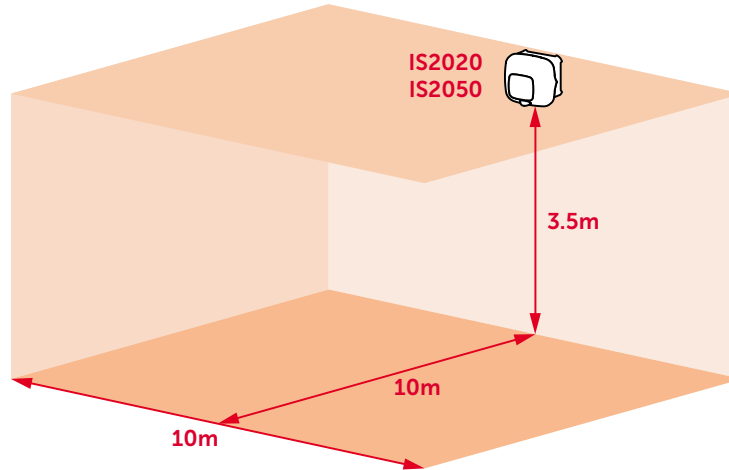
Available in red or white casing.



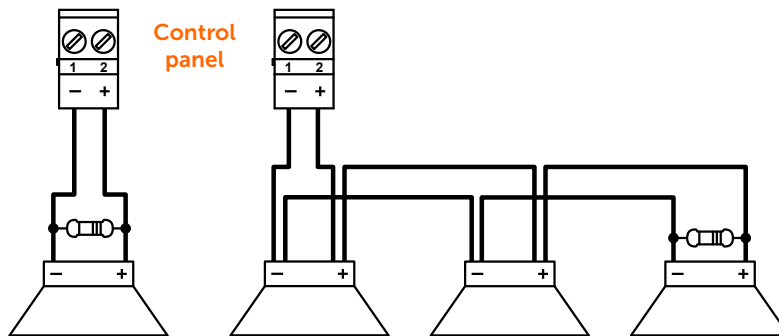
Main features

	IS2010	IS2020	IS2030	IS2050
Operating voltage	from 18 to 30V ^{DC}			
Stand-by current draw	200µA			
Maximum current draw	25mA	40mA	25mA	40mA
Installation method	Wall mount			
Maximum installation height	-	3.5m	-	3.5m
Light coverage according to EN54-23	-	W 3,5-10	-	W 3,5-10
Flash frequency	-	0.5Hz	-	0.5Hz
Flash color	-	White	-	White
Number of selectable tones	14		104	
Sound pressure at 1mt	98dB			
IP Protection grade	IP65 (IP21 EN54-3 certified)			
Operating temperature	from -10 to 55°C			
Synchronization	Yes			
Multicolor indicating LED	Yes			
Dimensions	121 x 121 x 57mm			
Weight	150g			

FLASH COVERAGE VOLUME



CONFIGURATION DIAGRAM



ORDER CODES

IS2010RE	Audible alarm indicator in red casing
IS2010WE	Audible alarm indicator in white casing
IS2020RE	Visual/Audible alarm indicator in red casing
IS2020WE	Visual/Audible alarm indicator in white casing
IS2030RE	Audible alarm indicator with voice alert in red casing
IS2030WE	Audible alarm indicator with voice alert in white casing
IS2050RE	Visual/Audible alarm indicator with voice alert in red casing
IS2050WE	Visual/Audible alarm indicator with voice alert in white casing