

Smarty

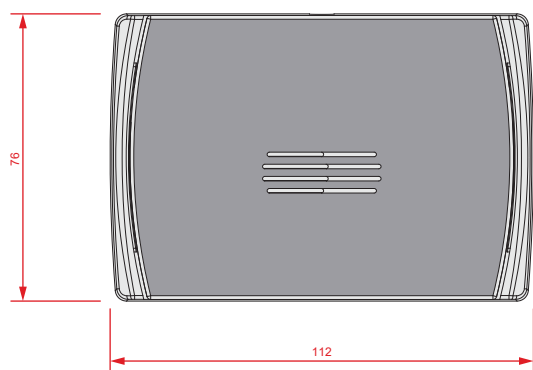
INDOOR SOUNDERS WITH FLASHER



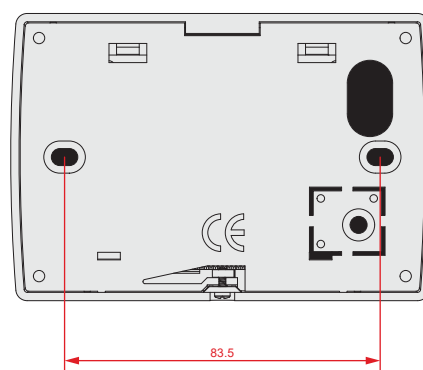
The Smarty is fully microprocessor-controlled and uses piezoelectric sounder and super bright LED-technology flasher. A direct move towards superior signalling features and low power consumption. The device is tamper protected, and provides a sounder-shutdown input which allows the flasher to continue signalling.

Main features	Smarty/SI	Smarty/GI
Power		13.8 Vdc
Maximum current draw		130 mA
Sounder- modulation/shutdown input		Yes
Anti-opening and protection		Yes
Piezoelectric sounder		Yes
LED signal flasher	-	Yes
Light Intensity at 1m	-	25 lux
Sound pressure at 1m		110 dBA
Protection Grade		IP31
Dimensions (HxWxD)		76x112x30 mm
Weight		110 g

Sounderflasher - dimensions

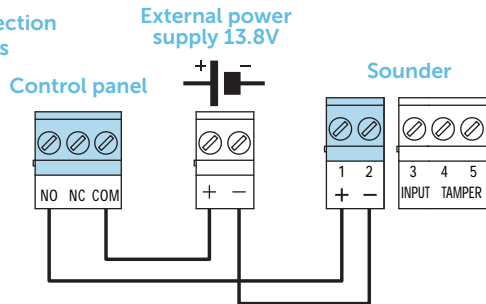


Sounderflasher - back

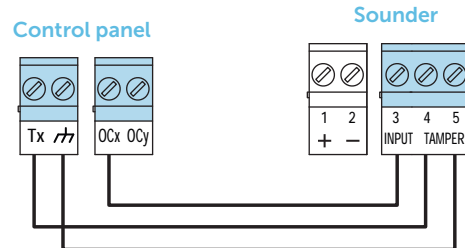


CONNECTION DIAGRAMS

Connection 2 wires



Tamper and volume adjustment connections



ORDER CODES

- Smarty/SIB:** indoor siren, white color, 12Vdc powered
- Smarty/GIB:** indoor siren with flasher, white color, 12Vdc powered
- Smarty/GFR:** indoor siren with flasher, red color, 24Vdc powered