



Where Luxury Is Affordable

www.the-mspa.com



Owner's Manual

# MONO

C-MO04 / C-MO06

EN

DO NOT RETURN MERCHANDISE TO YOUR DEALER STORE DIRECTLY. CALL MSPA AFTER SALES SERVICE CENTER FOR PRODUCT QUESTIONS OR CONTACT MSPA AT [info@the-mspa.com](mailto:info@the-mspa.com)

Due to MSPa continuous product improvement, MSPa reserves the right to change specifications and product appearance, which may result in updates to the instruction manual without notice.



# ENTER THE WORLD OF MSPA

---

Welcome,

Thank you for choosing MSpa and for your confidence in our brand. We believe that you will enjoy many benefits of using MSpa products for years to come.

To guide you in your initial MSpa experience, we are pleased to present you with this instruction manual. Please carefully and thoroughly read this manual entirety before using the product for the first time.

We are delighted to welcome you to the MSpa family, and look forward to sharing with you the full spectrum of our expertise.

Enjoy your MSpa!



Scan the QR code to enter the MSpa official website

## CONTENT

---

Safety precautions.....	3
Specifications.....	8
Product overview.....	9
First use and set-up preparation.....	10
Spa set-up.....	12
Controller operation.....	14
Water maintainance and chemicals.....	16
Drainage, cleaning and storage.....	18
Disposal and environmental protection.....	20
Troubleshooting.....	21
MSPA limited warranty.....	23

# SAFETY PRECAUTIONS

---

For your own safety and that of your product, make sure to follow the safety precautions below. Fail to follow the instruction may result in serious injury, property damage or death. Improper installation or operation will void the warranty.

## READ, UNDERSTAND AND FOLLOW ALL INSTRUCTIONS KEEP THE MANUAL FOR FUTURE REFERENCE

### DANGER

- Risk of Accidental Drowning. Extreme caution must be exercised to prevent unauthorized access by children.
- Risk of drowning. Inspect the spa cover regularly for leak, premature wear and tear, damage or signs of deterioration. Never use a worn or damaged cover: it will not provide the level of protection required to prevent unsupervised access to the spa by a child.
- Risk of drowning. Always lock the spa cover after each use.
- Risk of injury. If the supply cord is damaged, it must be replaced by the manufacturer, its service agent or similarly qualified persons in order to avoid a hazard.
- Risk of Electric Shock. Do not permit any electrical appliances, such as a light, telephone, radio or television within 1.5m (5 feet) of a spa tub.
- Risk of Electric Shock. Do not use the spa when it is raining, thundering or lightning.

### WARNING

- To reduce the risk of electric shock, do not use an extension cord, timers, plug adaptors or converter plugs to connect the unit to electric supply; provide a properly located outlet.
- Transportable whirlpool baths and swimming pools with incorporated heating elements must be connected to a grounded mains supply socket with a supply cord fitted with a plug and PRCD with a tripping current of 10mA.
- Parts containing live parts, except parts supplied with safety extra-low voltage not exceeding 12V, must be inaccessible to occupants in the spa.
- Parts incorporating electrical components, except remote control devices, must be located or fixed so that they cannot fall into the spa.

- Electric installation should fulfill the local requirement or standards.
- The wired controller shall be properly stored at the side pocket when not used, to protect the controller from falling or other factors.
- This appliance can be used by children aged from 8 years and above and persons with reduced physical, sensory or mental capabilities or lack of experience and knowledge if they have been given supervision or instruction concerning use of the appliance in a safe way and understand the hazards involved. Children shall not play with the appliance. Cleaning and user maintenance shall not be made by children without supervision.
- To reduce the risk or injury, do not permit children use this product unless they are closely supervised all times.
- To reduce the risk of child drowning, supervise children all times. Attach and lock spa cover after each use.
- Make sure the floor is capable of supporting the expected load, which you can find from the spec sheet, calculate the expected load of water capacity plus total weight.
- Adequate draining system must be provided around the spa to deal with overflow water.
- To reduce the risk of injury:
  - a) Lower water temperatures are recommended for young children and when spa use exceeds 10 minutes. In order to avoid the possibility of hyperthermia (heat stress) occurring it is recommended that the average temperature of spa-pool water should not exceed 40°C(104°F).
  - b) Since excessive water temperatures have a high potential for causing fetal damage during the early months of pregnancy, pregnant or possibly pregnant women should limit spa water temperatures to 38°C(100°F).
  - c) Before entering a spa or hot tub the user should measure the water temperature with an accurate thermometer since the tolerance of water temperature regulating devices varies.
  - d) The use of alcohol, drugs or medication before or during spa use may lead to unconsciousness with the possibility of drowning.
  - e) The use of alcohol, drugs, or medication can greatly increase the risk of fatal hyperthermia in spas.
  - f) The causes and symptoms of hyperthermia may be described as follows:  
Hyperthermia occurs when the internal temperature of body reaches a level

several degrees above the normal body temperature 37°C(98.6°F). The symptoms of hyperthermia include an increase in the internal temperature of body, dizziness, lethargy, drowsiness, and fainting. The effect of hyperemia include failure to perceive heat; failure to recognize the need to exit spa; unawareness of impending hazard; fetal damage in pregnant women; physical inability to exit the spa; and unconsciousness resulting in the danger of drowning.

- g) Obese persons or persons with a history of heart disease, low or high blood pressure, circulatory system problem, or diabetes should consult a physician before using a spa.
  - h) Persons using medication should consult a physician before using a spa since some medication may induce drowsiness while other medication may affect heart rate, blood pressure, and circulation.
  - i) Check with doctor before use if pregnant, diabetic, in poor health, or under medical care.
- People with infectious disease should not use a spa or hot tub.
  - To avoid injury exercise care when entering or existing the spa or hot tub.
  - Water temperature in excess of 42°C(108°F) may be injurious to your health.
  - Never use a spa or hot tub alone or allow others to use the spa alone.
  - Do not use a spa or hot tub immediately following strenuous exercise.
  - Spa heat in conjunction with alcohol, drugs, or medication can cause unconsciousness.
  - Exit immediately if uncomfortable, dizzy, or sleepy. Spa heat can cause hyperthermia and unconsciousness.

Do not put the spa under 0°C(32°F) environment in order to avoid freezing if there is still water in the pool.

It's helpful to put temp barrier mat in between the spa pool and the ground. Similar mat which is made of foam material or other materials with heat barrier function can also be used. Do not turn on the spa when the water is frozen.

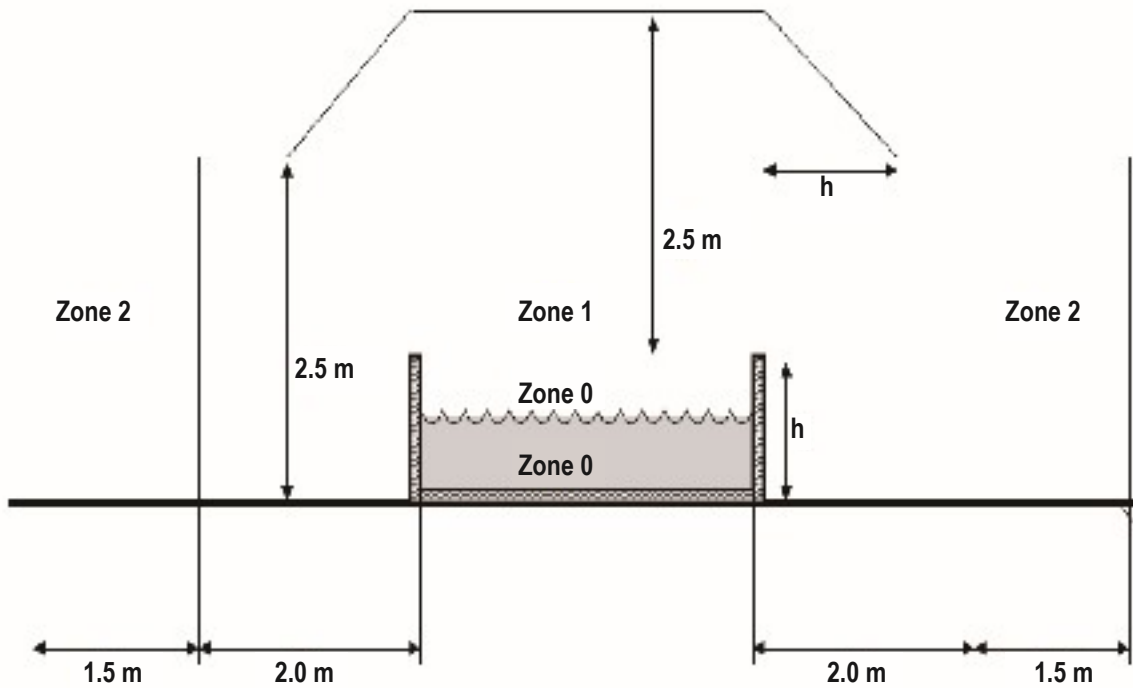
- Never pour water with a temperature higher than 40°C(104°F) into the spa directly.
- Always unplug this product from the electrical outlet before removing, cleaning, servicing or making any adjustment to the product.
- Never jump or dive into a spa or any shallow body of water.
- No part of the electric appliance is to be located above the bath during use.
- Do not bury the electrical cord. Locate the cord where it will not be damaged by lawn mowers, hedge trimmers and other equipment.

- Do not attempt to plug in or unplug this product while standing in water or when your hands are wet.
- Do not use the spa if damaged in delivery and/or malfunctioning in any way.
- Contact the MSpa service center for further direction.
- Keep all pets away from the spa to avoid any damage.
- Do not add bath oil or bath salt to the spa water.

## CAUTION

- Always add chemicals to water, never add water to chemicals. Adding water to chemicals may cause strong fumes or violent reactions and hazardous chemical spray.
- For water already used, discharge it in time or use water chemicals for cleaning. Usually, change water every 3-5 days.
- Use Mspa chemical kit for disinfection in accordance with manufacture's instructions.
- Do not leave or set up the spa in temperature lower than 4°C(39°F) if heater is not operating.
- Always enter and exit the spa or hot tub slowly and cautiously. Caution of wet floor.
- To avoid damage to the pump, never turn on the spa or hot tubs unless it is filled with water to the minimum water line.
- Place the spa or hot tub only on a properly prepared site that can withstand the floor loading requirement of the spa.
- Do not leave the spa empty for extended period of time. Drain away water inside the pool thoroughly for long time disuse. Do not expose the spa under direct sunshine. Check regularly before each use. Put away the spa or fence it up in time after using.
- Open the spa top lid when the Bubble function is on.
- In order to avoid a hazard due to inadvertent resetting of the thermal cut-out, this appliance must not be supplied through an external switching device, such as a timer, or connected to a circuit that is regularly switched on and off by the utility.
- Refer to relevant chapter for details concerning cleaning and other maintenance.

**Warning:** Water protection levels of appliance at different product zones are different see the following scheme. ( **Installation regulations comply to IEC 60364-7-702**)





**NOTE** - The measured zone dimensions are limited by walls and fixed partitions.

Zones	Description of the zones
Zone 0	Zone 0 is the interior of the basin including any recesses in their walls or floors.
Zone 1	Zone 1 is limited by <ul style="list-style-type: none"> <li>• Zone 0</li> <li>• A vertical plane 2m from the rim of the basin.</li> <li>• The floor or the surface expected th be occupied by persons</li> <li>• The horizontal plane 2.5m above the floor or the surface</li> </ul>
Zone 2	Zone 2 is limited by <ul style="list-style-type: none"> <li>• A vertical plane external th zone 1 and parallel plane 1.5m from the former.</li> <li>• By the floor or surface intended to be occupied by persons.</li> </ul>

# SPECIFICATIONS

---

BUBBLE SPA							
Model No. / Code	Shape	Seating Capacity	Water Capacity	Outside Dimensions	Inside Dimensions	Height	Weight
<b>C-MO04 Mono</b>	Round	4 	720 L (190 Gal)	φ1.53m 60"	φ1.43m 56"	0.65m 26"	32kg (70.5lbs)
<b>C-MO06 Mono</b>	Round	6 	930 L (245 Gal)	φ1.73m 68"	φ1.63m 64"	0.65m 26"	35kg (77.2lbs)

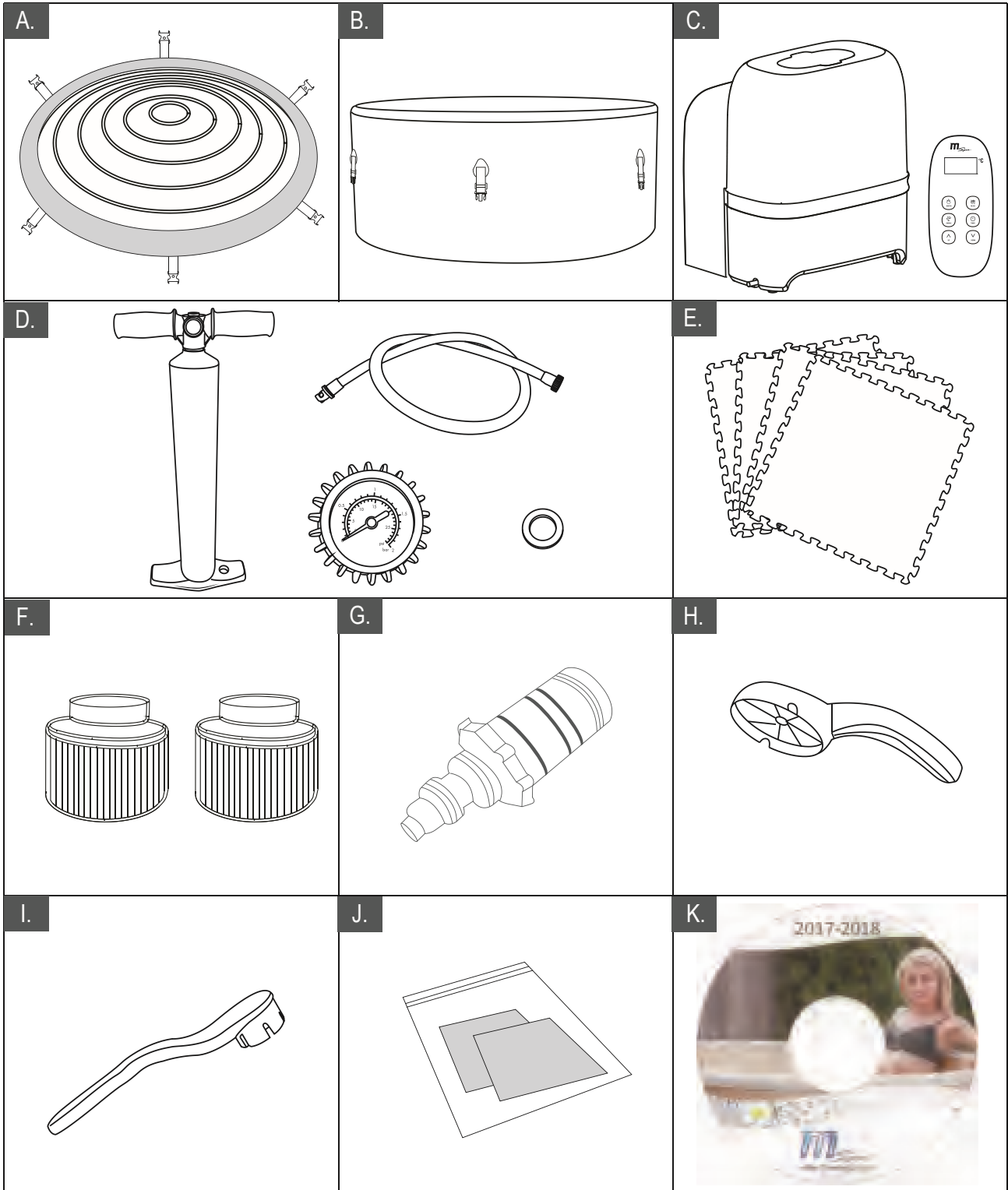
Control System Specs	C-MO04 / C-MO06
Control System	AC 220-240V,50Hz
Total Power	2100W
Heater	1500W
Massage Air Blower	600W
Filter Pump	AC 12V/35W



# PRODUCT OVERVIEW

---

## Packaging content



**NOTE:** Drawings for illustration purpose only. Actual product may vary. Not to scale.

REF. NO.	PARTS DESCRIPTION	QTY.
A	SPA cover with buckle and inflatable bladder	1
B	Spa tub	1
C	Control box , wired controller and U-shape cover	1
D	JOMBO 23.5" high pressure pump, inflation hose, pressure gauge, seal ring	1
E	Heat preservation foam mat	9
F	Filter cartridge	2
G	Spa drain valve adaptor	1
H	Wrench for filter	1
I	Wrench for valve	1
J	Repair kit	1
K	Instruction DVD	1

**NOTE:** When ordering parts, be sure to quote the model number and part numbers.

## FIRST USE AND SET-UP PREPARATION

---

### Site preparation and requirements

- The spa can be installed indoor and outdoor around 15 minutes by at least one person. For household use only. For household use only.
- The spa must be set up on a flat, smooth and supporting surface that is capable of supporting the maximum load of the filled spa with listed maximum occupants.
- Make sure the area is free of sharp objects under or around the spa. Uneven or unsound surfaces can damage the spa and void your warranty. Level the surface before filling spa with water.
- Provide adequate drainage system around the spa to deal with overflow water and splashes.
- Make sure there is enough clearance around the spa for full access to the spa equipment for maintenance and/or service.

### Additional requirements for indoor installation

- Verify the supporting floor can support the filled weight of spa with maximum number of occupants. Check with a qualified contractor or structural engineer to verify the requirement.
- Make sure the floor is water resistant and provides non-slip surface. Do not install the spa on a carpet of any other material that could be damaged by the moisture.
- Humidity is a naturally side effect of indoor spa installation. The room shall be properly ventilated to allow moisture to escape. Install a ventilating system to prevent excess condensation moisture in the room.

## Additional requirements for outdoor installation

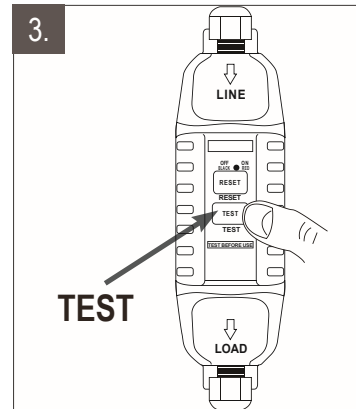
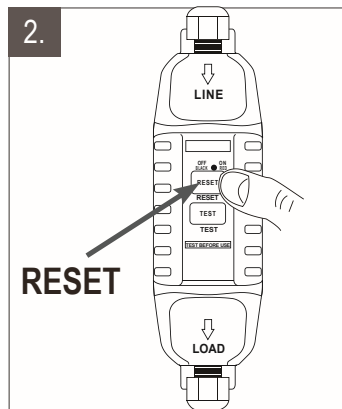
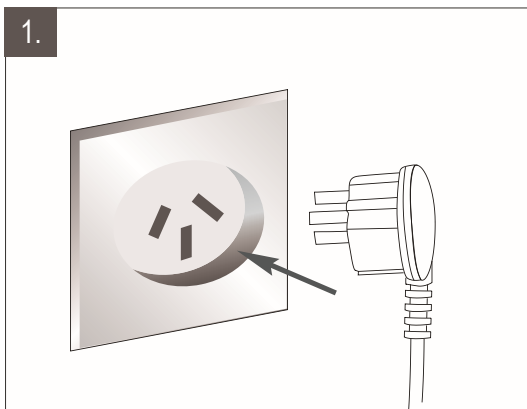
- Make sure to set up the spa on a firm, level and smooth surface that is strong enough to support the full weight of the filled spa and maximum occupants.
- Do not set up the spa on grass or dirt, as this increases the amount of debris entering the spa, and damage the spa floor.
- Do not leave the spa tub exposed to direct sun light for extend period of time.
- It is the possible to install and leave the spa outside at a temperature not lower than 4°C(39°F) and the water inside the circulation system, pump, pipe are not frozen. Put a Heat Preservation Mat in between the spa bottom and the ground to prevent heat loss from the bottom of the spa and to provide better heat retention.

## PRCD Testing

### ⚠ WARNING

Risk of electric shock: This product is provided with a PRCD located at the end of the power cord. The PRCD must tested before each use. Do not use the spa if the PRCD does not function properly. Disconnect the power cord until the fault has been identified and corrected. Contact a licensed electrician to correct the fault. There are no serviceable parts in side the PRCD. Opening the PRCD will void the warranty.

1. Plug the machine into the mains.
2. Press the **RESET** button on the PRCD. The indicator turns red.
3. Press the **TEST** button on the PRCD. The PRCD indicator should shut off. If the PRCD indicator does not turn off, the PRCD is faulty. Do not use the spa. Contact a qualified electrician to correct the fault.
4. Press the **RESET** button on the PRCD again. The indicator should turn red. If yes, the spa is ready for use.



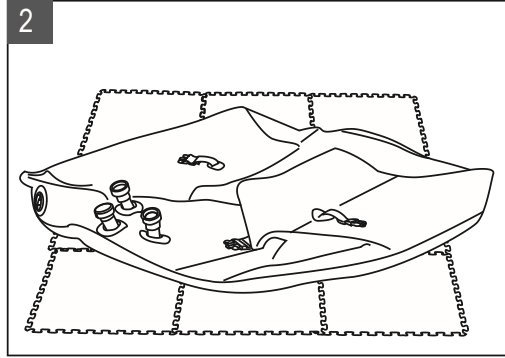
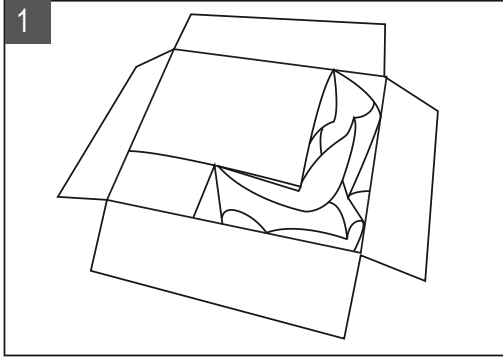
## Spa Control Unit Connected External Equipotential Bonding Conductors

A qualified electrician shall wire the spa control unit to the household equipotential terminal using a minimum 1.5mm<sup>2</sup> solid copper conductor.

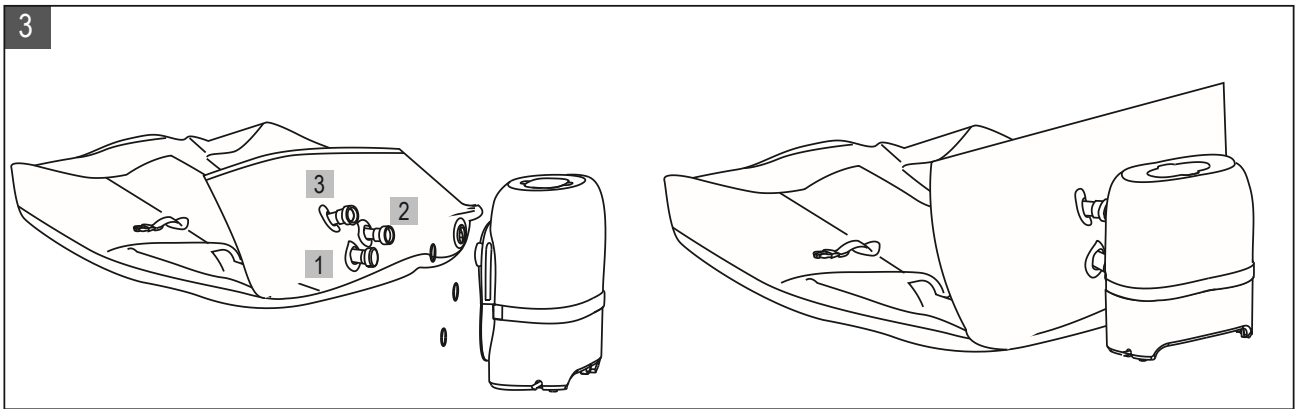
# SPA SET-UP

---

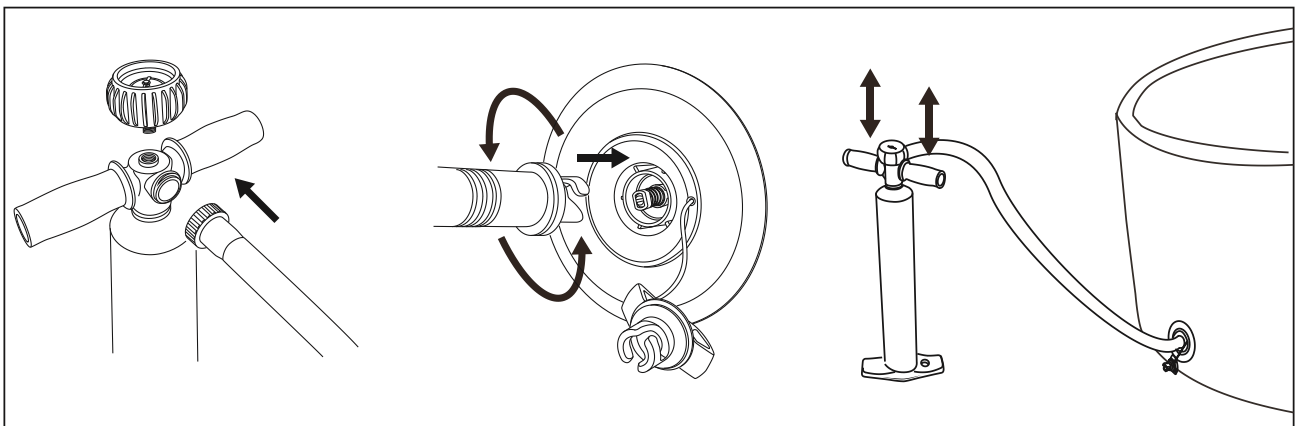
1. Spread out and connect the 9 pcs foam mat at a cleared area. Heat Preservation Mat prevents heat loss from the bottom of the unit.
2. Put the pool body on the mat (note that the drain valve is in the appropriate area)



3. Connect the control box to the spa pool in right order. (There should be sealing ring at each connection point.)



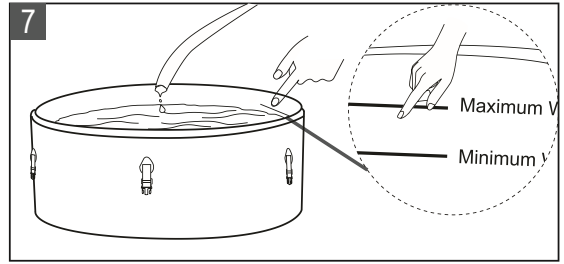
4. Unscrew the valve cap and make sure that the center valve pin is in the "UP" position. If it is in the "DOWN" position, press down on the valve pin and turn it counterclockwise until it pops up.
5. Attach the pressure gauge and the pump hose to the gauge housing on the pump and secure it tightly. Connect the pump nozzle into the valve receptacle on the spa body, and tighten it clockwise.
6. Start pumping air into the board by sliding the pump piston up and down, inflate until you reach the required pressure 12 - 15PSI. Otherwise there will be fold mark on the spa body.



## 7. Water Filling

7.1 Check the spa liner is at the selected area and point the drain valve toward a suitable draining area before inflation. Make sure the drain valve is securely tightened.

7.2 Fill the spa tub with fresh water to a level between Minimum and Maximum line marked on the inside of the spa wall.



Do not over fill the spa. It is recommended to fill the spa with lukewarm water for quick heating and energy saving.

### WARNING:

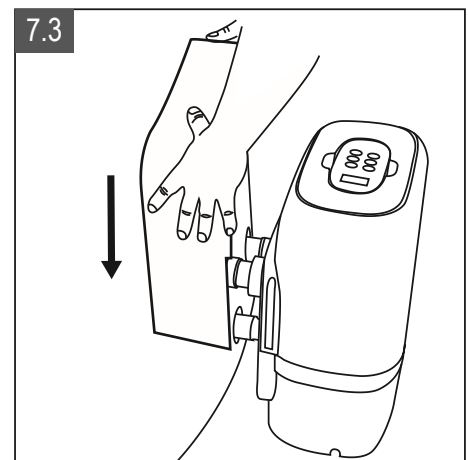
- Water level must reach the Minimum water line but not exceed the Maximum line to avoid pump failure.
- Never pour water with a temperature higher than 40°C(104°F) into the spa directly.
- To avoid control system failure, do not operate the spa until water reaches the Minimum line.

7.3 Check the connecting tub and make sure there is no water seeping. Assemble the “U” shape cover.

7.4 Insert the inflatable bladder into the buckled cover. (Keep valve and printing towards outside)

7.5 Inflate the bladder with the hand pump.

7.6 Place the cover over the spa tub and insert the buckle to the base that attached on the spa tub.

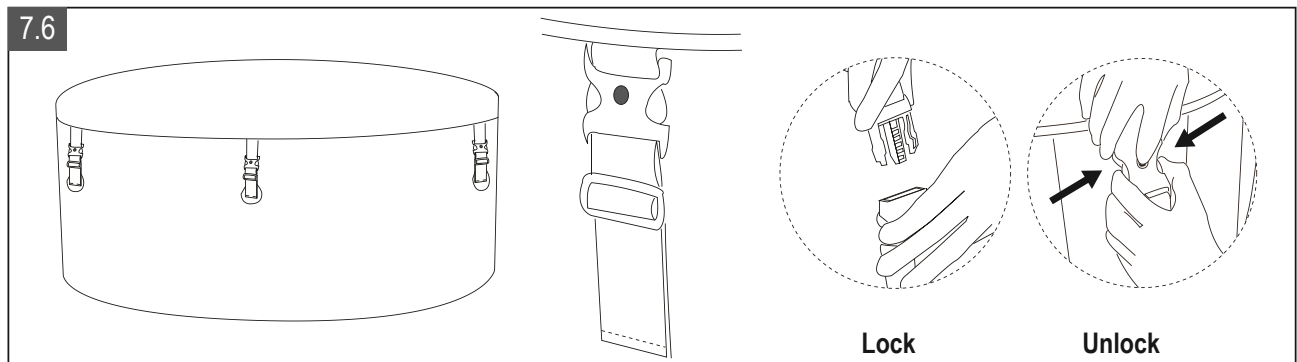
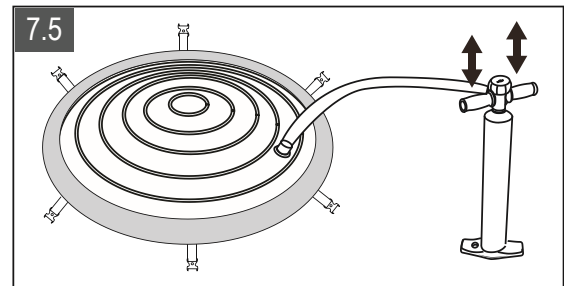


### Lock the Buckle

- Insert the buckle on the Ground Mat into the Spa cover buckle, until you hear a “Click” sound.

### Unlock the Buckle

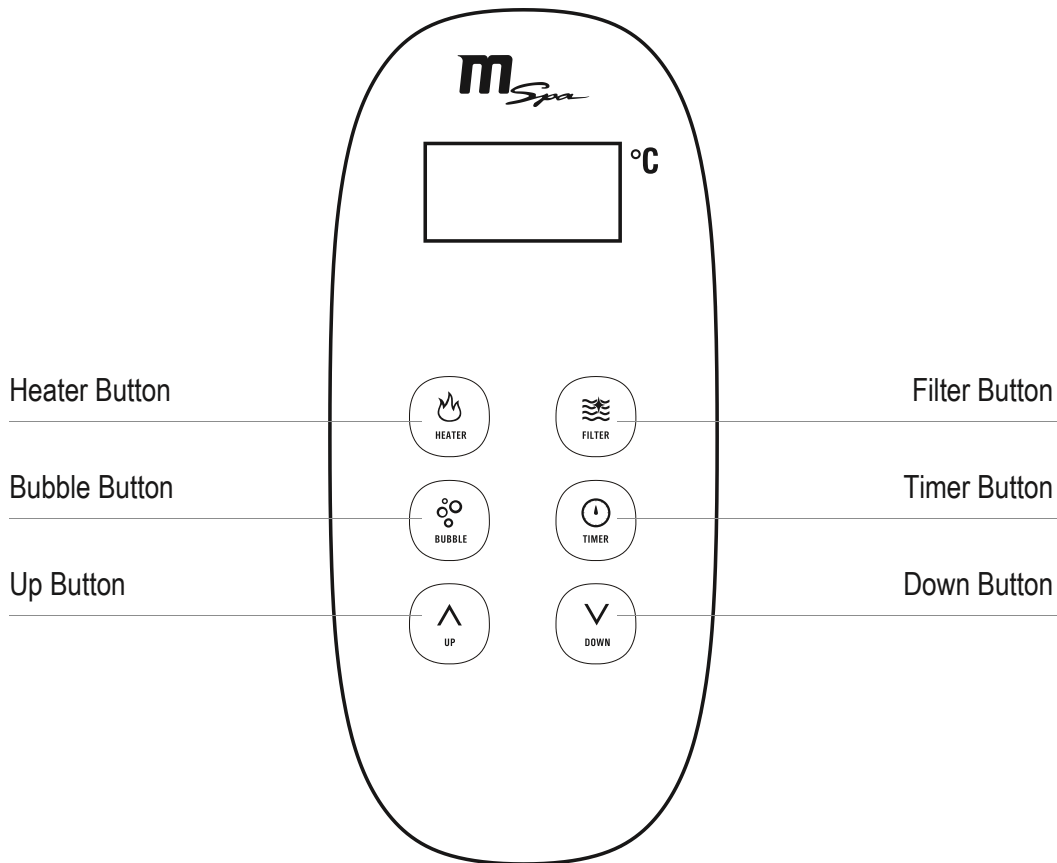
- Pinch both sides of the locked buckle, and press down the round dot in center in the same time. Press down the center button and release the lock.



7.7 Turn on the Heater on the controller, refer to the “Controller operation” section. Maximum heating temperature is 42°C(108°F). Hourly heating rate is about 2°C-2.5°C(3.5°F-4.5°F) for 2 and 2+2 persons, 1.5°C-2°C(2.5°F-3.5°F) for 4 persons and 1.2°C-1.8°C(2°F-3°F) for 6 persons.

# CONTROLLER OPERATION

---



**Temperature display:** press RESET on PRCD, the screen shows current temperature



**Heater Button:** Press HEATER button to turn the function on/off.

Meanwhile, the filter will automatically run and test for 15s. The HEATER button is green within 15s. If there is no abnormality, the heating starts until the temperature reaches setting value. After the current water temperature drops below the setting temperature, the heating system will restart automatically. When the HEATER button is red, the heating system is activated. When the HEATER button is green, the heating system is at rest as the water is at the set temperature.



**Filter Button:** Press FILTER button to turn the function on/off. The light of FILTER button display green when activated.

**NOTE:** Filtration cannot be turned off when Heating is activated. When the Heating function is turned off, Filtration will be stopped after 30 seconds.

**NOTE:** Auto-filtration system every 4 hours.



**Bubble Button:** To activate the bubbling massage function, which has a 20-minutes auto off for 10-minutes feature. The light of Bubble button displays green when activated.



**Adjustment Buttons:** Press UP or DOWN button, the screen flashes setting temperature. Re-set the temperature within 3s. Otherwise the temperature setting mode will automatically end. If other button is pressed during the setting, the setting will also stopped. The current temperature shown on the screen is confirmed.

**NOTE:** Default setting temperature is 40°C; Temperature setting range: 20 - 42°C.

**Controller Locking:** Press UP and DOWN button at the same time for 3s, the buzzer will ring 3 times, meaning that the controller is locked. In this mode, function will not be turned on/off if the button is pressed. Press UP and DOWN button at the same time again for 3s to unlock the controller.



**Timer Button:** Press the TIMER button to enter intelligent pre-setting mode. By press UP and DOWN button, you can set and start heating automatically in up to 99 hours. The TIMER setting is confirmed if no further operation in more than 3 seconds or press TIMER button again. The heater will start working after current setting hours. The setting hour can also be changed by entering the pre-setting mode again. The light of TIMER button flashes green when activated.

**Cancel:** Press the TIMER button for 3s to cancel the pre-setting.

**Note:** The pre-setting function cannot be turned on during heating process. The pre-setting mode will also end after heating function is on or after the spa is reboot.

**Filter Cartridge Cleaning Reminder: When red light keeps flashing (Filter function is OFF) or red and green lights alternately flashing (Filter function is ON), the filter cartridge shall be cleaned or replaced. After that, press Filter button for 3s to delete the reminder.**

## MAINTENANCE

	FREQUENCY	ACTION
<b>Filter Cartridge</b>	Cumulative use up to 150hrs, or cleaning reminder is activated	Clean the filter cartridge or change a new one
<b>SPA</b>	Not in used for 2~3 days or longer	Use an overall cover for protection
	Check water quality in time and adjust to recommended range	Use water treatment products to adjust

## ERROR CODE CHART

LED READING	CAUSE	SOLUTION
<b>E0</b>	Water temperature is lower than zero degree or exceed 55°C	Adjust water temperature
	Temperature sensor failure	Contact the MSpa Service Center.
<b>E1</b>	E1 immediately shows after pressing FILTER or HEATING	Clean parts and tubes that water goes through
	E1 shows 15s after pressing FILTER or HEATING	1. Add more water to the minimum line; 2. Clean parts and tubes that water goes through; 3. Contact the MSpa Service Center.

# WATER MAINTAINANCE AND CHEMICALS

---

## Water Sanitation

The spa owner must regularly check and keep the spa water sanitized with scheduled maintenance (daily, if necessary). Adding sanitizer or other chemical will control bacteria and viruses present in the spa water. The maintenance of a proper water balance through appropriate use of sanitizers is the most important factor in maximizing the life and appearance of the spa as well as ensuring clean, healthy and safe water.

Proper technique is important for water testing and treating the spa water. See your spa professional for chemical, sanitizer, test kit and testing procedures questions.

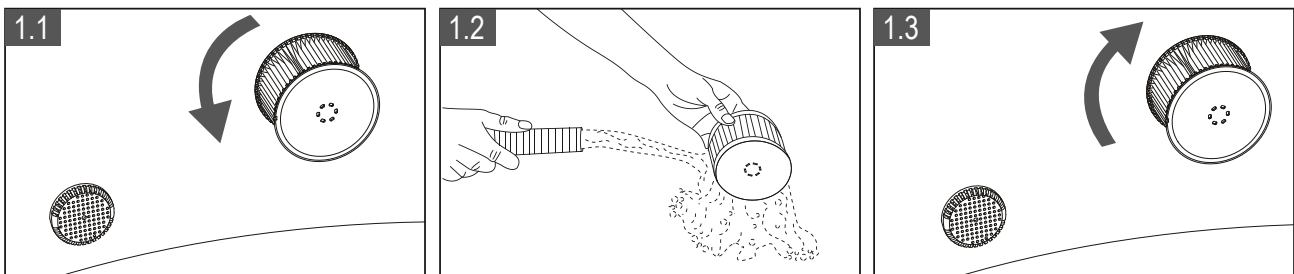
## CAUTION:

- Always follow the chemical manufacturer's direction, and the health and hazard warning.
- Do not add chemicals if the spa is occupied. This can cause skin or eye irritation.
- Concentrated chlorine solutions can damage the spa tub. Improper chemical use will void the warranty.

## Maintenance of Spa Water and Cartridge

Protect all the spa occupants from possible water related illness by keeping the spa water clean and sanitized. Always practice good hygiene. To ensure proper spa water quality by following these procedures:

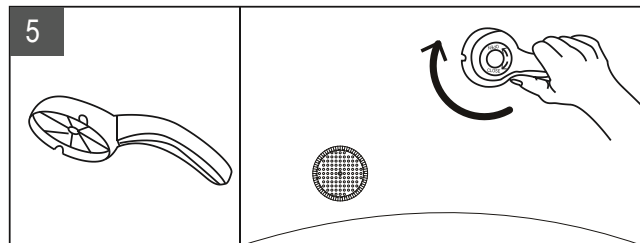
1. Inspect and clean the filter cartridge after each use, and change the filter cartridge after it works continuously for 150 hours.
  - Unscrew the cartridge assembly from the spa tub wall and remove the cartridge by turning it counter clockwise (Fig. 1.1)
  - Use a garden hose to rinse off the cartridge. If the cartridge remains soiled and discolored it should be replaced. Keep spare cartridges on hand.(Fig.1.2).
  - Reinstall the clean or spare cartridge back onto the spa tub wall but turning it on clockwise. (Fig.1.3)



2. Change the spa water every 3-5 days depends on the spa use. See “Cleaning, draining and storage” section for instruction.
3. Use spa chemicals to maintain proper water chemistry. Spa damage resulting from misuse of chemicals and mismanagement of spa water is not covered by the warranty. Consult with your local spa or pool retailer for more information on chemical use.

4. All occupants must shower before entering the spa.

5. When spa inlet or outlet is stuck with dirt. Use the Wrench to check the problem and clean the inlet or outlet.





## Water Balance

Maintain the spa water pH level between 7.2 and 7.8, total alkalinity between 80 and 120ppm and free chlorine level between 3 to 5ppm. Use the \*optional Test Strips to test the spa water chemistry before each use of the spa and continue to test the water no less than once a week.


The Test Strips can test the “Free Chlorine”, “pH”, and “Total Alkalinity” level at the same time:

1. Dip the entire strip into the water and remove immediately
2. Hold the strip level for 15 seconds. Do not shake excess water from the strip
3. Compare the strip pad to the color chart on the packaging label. If necessary, adjust the chemical level in the pool water

### NOTE:

- Low pH will damage the spa tub and pump. Damage resulting from the chemical imbalance will void the warranty.
- High pH (hard water) will result in white coagulations inside the filter pump; which may lead to pump damage.

## IMPORTANT:

- Press the  Bubble button on the spa control panel to turn on the bubble air blower and help to dissolve the chemicals into the water.
- Never mix chemicals together. Add the chemicals to the spa water separately. Thoroughly dissolve each chemical before adding one to the water.


## Water Treatment:

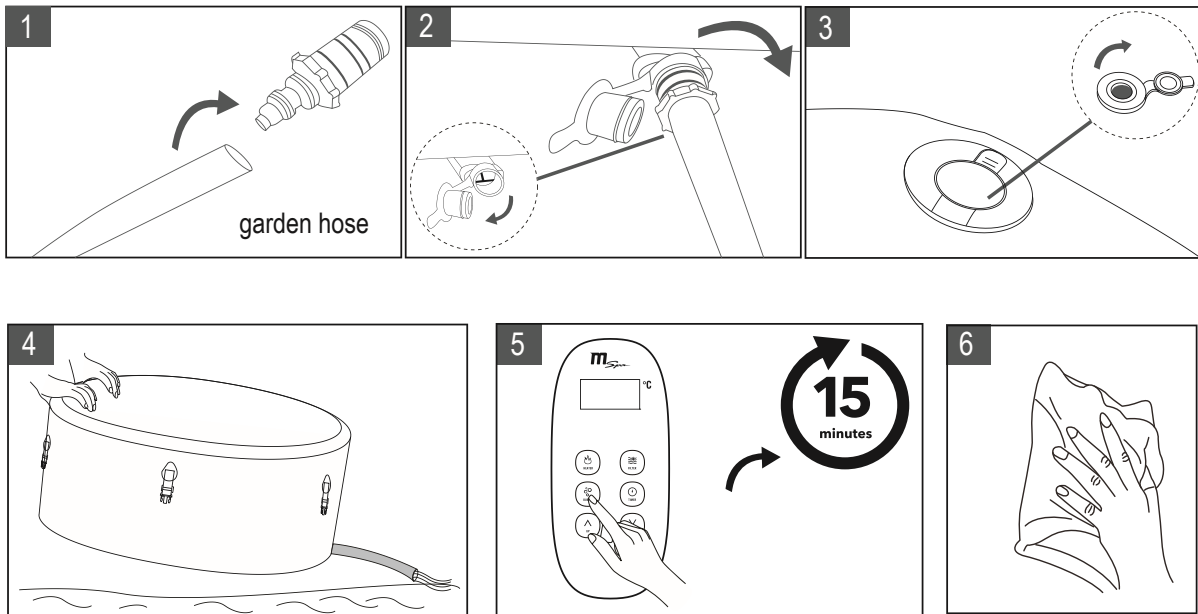
- Bromine or chlorine is highly recommended for good water quality.
- Please note that chlorine and bromine products should never be mixed. This is extremely dangerous. If you usually use chlorine-based products and you want to switch to bromine-based products, or vice versa, it is mandatory to completely change the spa water before any product changes.
- Do not over use the chemicals, otherwise there will be strong chemical odor and potential hazard to your skin.

# DRAINAGE, CLEANING AND STORAGE

---

## Spa Drainage

1. Turn off all the buttons (heater, filter and bubble) on the control panel unit.
2. Connect the drain valve adapter to a garden hose and point the other end of the garden hose to a suitable draining area with local environmental regulations (Fig.1)
3. Remove the drain valve cap from the outside of the spa tub and attach the drain valve adapter with the garden hose to the drain valve (Fig.2)
4. From the inside of the spa tub, open the drain valve cap, water will start to flow out through the garden hose (Fig.3)
5. When the water stops draining, lift the spa tub wall from the opposite to the drain, leading any remaining water to the drain and empty the spa water completely. (Fig.4)
6. Press  Bubble button to dry out any water in the piping system. Operate the bubbling function for 15 minutes to blow out all the remaining water. (Fig.5)
7. When the water stops draining, use a clean towel to wipe up any remaining water and moisture on the spa tub and spa control panel. (Fig.6)



## Spa Tub Cleaning

If dirt is visible in the water or water becomes cloudy and proper water chemistry does not clear it up, change the water and clean the spa tub.

While spa water is empty, remove the cartridge from the inside of the spa tub wall, clean and /or replace the filter cartridge. Use a sponge and mild soap solution to wipe away any soil or stains on the inside of the spa wall. Rinse thoroughly before refilling with clean water.

**IMPOTANT:** Do not use steel wool, hard brushes or abrasive cleaners.

## Spa Tub and Air Bladder(\*Optional) Repair

Use the enclosed repair patch to repair any puncture:

1. Clean and dry the area to be repaired thoroughly
2. Apply the glue to the PVC patch and quickly attach it onto the damaged surface. (Glue is not included)

3. Smooth the surface to remove any air bubbles and allow it dry for 5-10 minutes

**NOTE:** Glue is not included.



### Inflatable Valve Sealing Washer Blow-out

For leakage on the valve cover

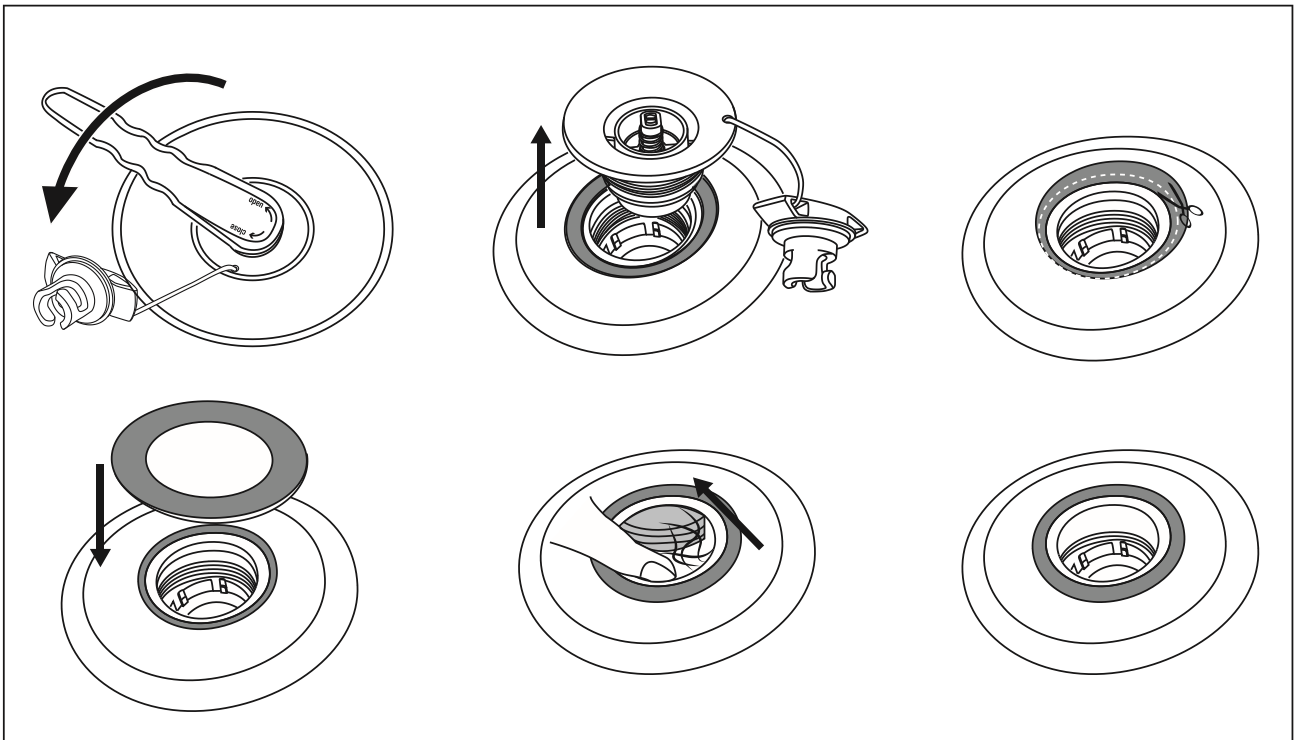
**A. Use wrench to disassemble the valve and check the position.**

**B. Valve's position deviate:**

- i. Find out the correct position;
- ii. Cut out the extra trim edge;
- iii. Put an extra seal ring on top;
- iv. Assemble the valve back and charge to recommended air pressure.

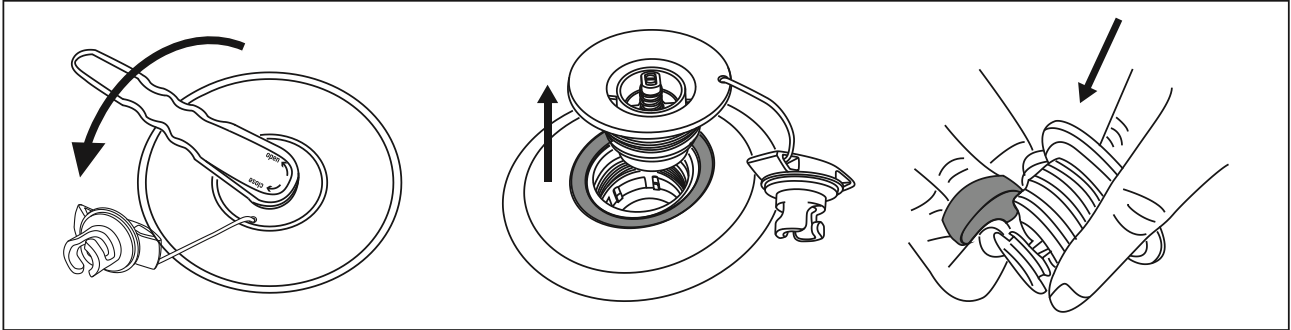
**C. No deviation:**

- i. Clean the thread on the surface of the base or inner part.
- ii. Assemble the valve back.
- iii. Inflate the SPA.
- iv. Tighten the valve further and inflate to recommended air pressure.



### For air leak from inside the valve

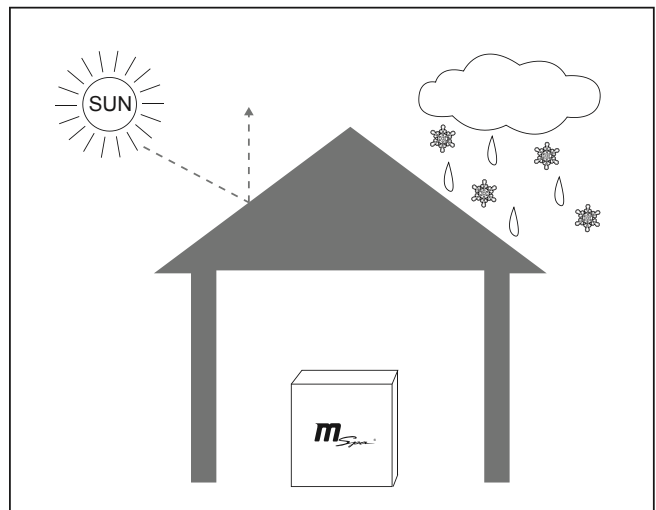
- A. Disassemble the valve and check the position.
- B. Disassemble the sealing rubber on the valve and clean both.
- C. Assemble the valve back.
- D. Inflate the SPA.
- E. Tighten the valve further and inflate to recommended air pressure.



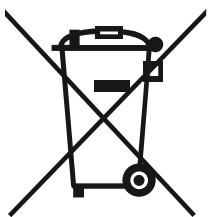
**NOTE:** Correctly use the wrench by pressing it with one hand on top.

### Storage and Prepare for the Next Time Use

1. Drain and clean the spa by following the “Drainage” and “Spa Cleaning” sections
2. Reserve the set up instructions to deflate and disassemble the spa tub, spa control unit and air bladder
3. Make sure all the spa components and accessories are thoroughly clean and dry before storage. Air-dry the spa tub in the mild sun for an hour before folding
4. Fold the spa tub loosely and avoid any sharp corners to prevent damage or leakage to the spa liner
5. Prepare new additional cartridge for next time use
6. Store the spa and accessories in a dry, temperature controlled, between 0°C- 40°C(32°F- 104°F) storage location
7. Original packaging is recommended to be used for storage



## DISPOSAL AND ENVIRONMENTAL PROTECTION



This marking indicates this product should not be disposed with other household wastes. To prevent possible harm to the environment or human health from uncontrolled waste disposal, recycle it responsibly to promote the sustainable reuse of material resources. You can obtain information on disposal from your local authorities.

To return your used device, please use the return and collection systems or contact the retailer where the product was purchased. They can take this product for environmental safe recycling.

# TROUBLESHOOTING

---

PROBLEM	CAUSE	SOLUTION
<b>NO DISPLAY ON THE CONTROL PANEL</b>	Power failure	Check power source
	PRCD is off	Reset PRCD
	PRCD broken	Contact the MSpa Service Center
<b>SPA LEAKING</b>	Spa inlet/outlet connection not securely tight	Tighten the inlet and outlet connection
	Drainage valve is not closed completely	Contact the MSpa Service Center, if spa is still leaking
	Water leaks from the spa pool body	Repair the leaking hole/spilt with the repair kit material
<b>NOT HEATING PROPERLY</b>	Temperature set too low	Set a higher temperature
	Heating element failed	Contact the MSpa Service Center
	Water level is not at the minimum water line	Add more water to the minimum line
<b>BUBBLE AIR BLOWER DOES NOT WORK</b>	Bubble motor failure	Contact the MSpa Service Center
	Auto-off for 10 minute	Waiting for 10 minutes and turn on the Bubble button again

PROBLEM	CAUSE	SOLUTION
<b>FILTER PUMP DOES NOT WORK</b>	Power failure	Check the power source
	Filter stuck by dirt or other objects	Clean or replace filter cartridge
	Water level is not at the minimum water line	Add more water to the minimum line
<b>SPA TUB IN AN ABNORMAL SHAPE</b>	Extra air pressure by strong sunshine	Please check the air pressure and release air if necessary During hot weather, it recommended to check if it is necessary to release some air to avoid any possible damage to the spa pool
<b>SPA LOOSES AIR PRESSURE</b>	Air valve got loosen	Fill up the tub with air, make sure the air valves are secure, replace if necessary
	Hole or split on the spa tub	Put soap water in a squirt bottle and spray on seams. If there is a leak it will bubble. After you find the leak, clean and dry the leaking area, then use the repair patch comes with your spa. Check the repair section on P19
<b>WATER NOT CLEAN</b>	Insufficient filtering time	Increase filtration time
	Dirty filter cartridge	Clean or replace the filter cartridge in time
	Improper water maintenance	Refer to the chemical manufacture's instruction

CONTACT YOUR LOCAL MSPA DEALER OR SERVICE CENTER FOR ANY PRODUCT RELATED QUESTIONS OR PROBLEMS.

## MSPA LIMITED WARRANTY

MSpa® has been manufactured with reliability and simplicity in mind. All products have been inspected and found free of defects prior to leaving the factory.

MSpa warrants this product against defects in material and workmanship for a period of: **One year**

The warranty period begins on the date of purchase and MSpa requires presentation of the original proof to purchase to ascertain the date. During the warranty period, MSpa will either repair or replace, at its discretion, any defective products. Replacement products or repaired parts will be warranted for only the unexpired portion of the original warranty.

### Shipping Policy

Consumers are responsible for the shipping/freight when return the defect parts to MSpa authorized service center or ORPC-Oriental Recreational Products (Shanghai)Co., Ltd.

### Warranty Policy

- This limited warranty does not apply to any defect resulting from negligence, accident, misuse, or other reason beyond MSpa's reasonable control, included but not limited to: normal wear and tear, negligence or failure to follow the product instructions, improper or inadequate maintenance; connection to improper power supply; chemical water damage, loss of pool water, unauthorized product modification or repair; use for commercial purpose; fire, lightening, flood or other external causes
- This warranty is valid only in the country of purchase in such countries where MSpa sells and services the same model with identical technical specifications
- Warranty service outside the country of purchase is limited to the terms and conditions of the corresponding warranty in the country of service. Where the cost of repairs or replacement is not covered by this warranty, MSpa will advise the owners and the cost shall be charged to the owner.
- This warranty only applies to the original purchaser and terminates upon any transfer of ownership.
- All repairs of which warranty claims are made must be pre-authorized by ORPC through an accredited distributor or agent provided that the defective part be returned to the distributor or agent Transportation Prepaid, if requested.
- All the authorized selling dealer is responsible for all in-field service work carried out on your MSpa product. ORPC will not be liable for results of cost of workmanship from unauthorized service person.
- Products marked with both MSpa and another producer are governed exclusively by the warranty provided by the other producer.

### Warranty Registration

Registration is required. Warranty Card can be only filled out by mail. All claims must be submitted to ORPC by authorized selling dealers. It is essential that all submitted claims provide all the necessary information including Customer Name, Purchase Date, Series No., Product Model, Problem, and Parts requested. Without this information the warranty will be invalid. Warranty Card must be completed and mailed to ORPC by authorized dealer within Thirty (30) days from the original purchase date.