



ML SERIES

REMOTE BATTERY SWITCH

FOR REMOTE HIGH-AMP SWITCHING UNDER LOAD WITH NO CONTINUOUS CURRENT DRAW

- 500 Ampere continuous rating
- Magnetic Latching (ML) draws no current in the ON or OFF state and only draws current when changing state of switch
- Manual override knob provides an added level of safety allowing manual ON-OFF control with or without power while offering LOCKED OFF capability for servicing the electrical system
- LED output to remotely indicate switch state (requires optional LED)
- Tin-plated copper studs for maximum conductivity and corrosion resistance
- Silver alloy contacts provide high reliability for switching live loads
- Label recesses for circuit identification
 - large format label in front for remote battery switch function
 - square format labels on each side for terminal identification



LINK BUS PN 9160 for easy connection to the ML-Series Automatic Charging Relay



PN 7700

REMOTE BATTERY SWITCH 7700			
Function	ON	OFF	LOCK OFF
Manual Knob Operation	Push DOWN until LATCHED 	1 Rotate RIGHT 2 Rotate LEFT 	
Remote	ENABLED	ENABLED	DISABLED
Ignition Protected SAE J1171 MARINE ISO 8846 MARINE		500A Continuous 12V DC System	
CE		BLUE SEA SYSTEMS	

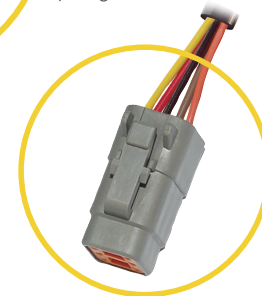
ML-Series Remote Control Contura Switch PN 2145



Included with retail packaged unit



Stripped Wire Termination provided on retail packaged units



Deutsch DTM Connector provided on bulk packaged units. Other connector plugs are available for high volume OEM applications

Part Numbers	Volts	Manual Override Knob	Retail Packaged	Weight lb (kg)
7700	12V	Yes	Yes	1.75 (0.79)
7700100B	12V	Yes	No	1.75 (0.79)
7702	24V	Yes	Yes	1.75 (0.79)
7702100B	24V	Yes	No	1.75 (0.79)
7701	12V	No	Yes	1.69 (0.77)
7701100B	12V	No	No	1.69 (0.77)
7703	24V	No	Yes	1.69 (0.77)
7703100B	24V	No	No	1.69 (0.77)

ML-SERIES

REMOTE BATTERY SWITCH

Specifications

Cranking Rating: 10 sec.	2,500 Amps
Intermittent Rating: 5 min.	See table below
Continuous Rating	See table below
Switching Cycles	100,000 Cycles
Amperage Operating Current	7.0A when changing states
Live Current Switching	300A @ 12V DC–10,000 Cycles
Mechanical Endurance	100,000 Cycles
Control Circuit Voltage	10.1 to 16.5V DC (12V models) 20.2 to 32.9V DC (24V models)
Control Circuit Current Draw	<100mA when changing states
Terminal Stud Size	3/8"-16
Recommended Ring Terminal	3/8" (M10)
Operating Temperature Range	-10°C to 50°C

Regulatory

IP Meets ISO 8846 ignition protection, and SAE J1171 external ignition protection requirements

66 IP66—Protected against powerful water jets

CE marked

Wire Size	Intermittent Rating	Continuous Rating
2/0	400A	225A
4/0	400A	300A
2x (4/0)	700A	500A

Remote Control Contura Switch

Contura Control Switch	Momentary SPDT (ON)-OFF-(ON)
Seals	Internal & External Gasket Panel Seal
Operating Temperature Range	-40°C to 85°C
Mounting Cut-out	1.450" x 0.830" (36.83mm x 21.08mm)
LED Rating	100,000 hours 1/2 life

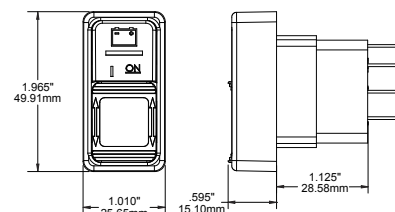
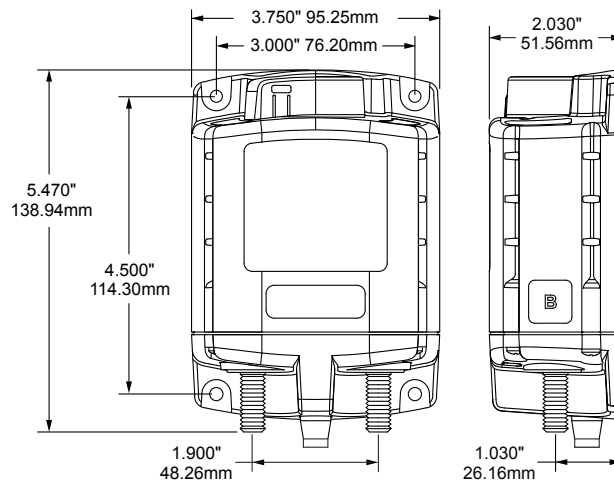
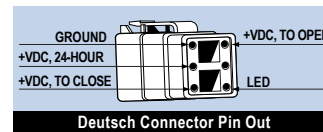
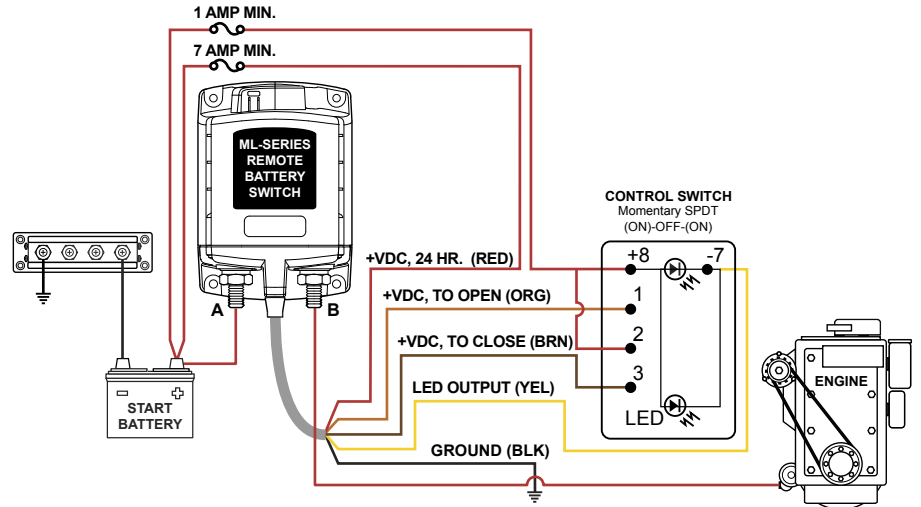
Regulatory

IP Meets ISO 8846 and UL 1500 external ignition protection requirements

67 IP67—Protected against immersion up to 1 meter for 30 minutes

REMOTE BATTERY SWITCH

Typical Installation Diagram with Remote Control Contura Switch (PN 2145)



425 Sequoia Drive Bellingham, WA 98226 USA

800-222-7617 (USA and Canada)

Phone: 360-738-8230 Fax: 360-734-4195

www.blueseasystems.com

Specifications subject to change.

See www.blueseasystems.com for additional information and specifications.

6834 Rev.003